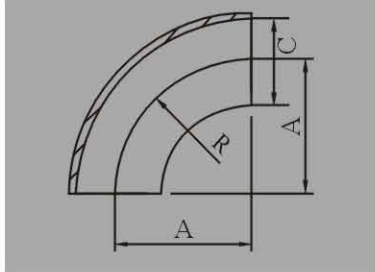
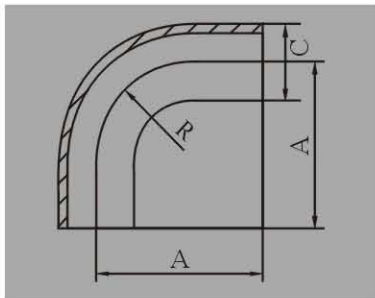


**90° 弯头 R=1.5D    90° elbow R=1.5D**



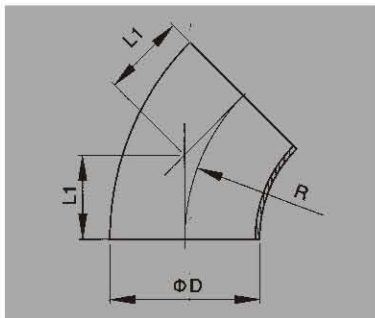
| SIZE | A      | R     | C    |
|------|--------|-------|------|
| 25   | 37.5   | 38.1  | 25   |
| 38   | 57     | 57.2  | 38   |
| 51   | 76.5   | 76.2  | 51   |
| 63   | 95.25  | 95.2  | 63.5 |
| 76   | 114.15 | 114.3 | 76   |
| 104  | 152.1  | 152.4 | 104  |

**90° 弯头 R=1D(带直部)    90° elbow with straight ends R=1D**



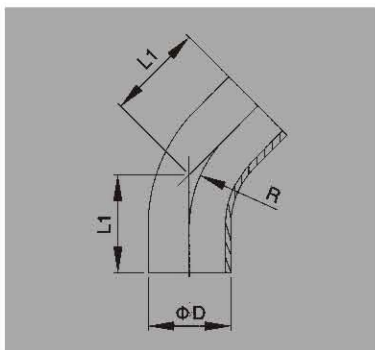
| SIZE | A   | R   | C    |
|------|-----|-----|------|
| 25   | 55  | 32  | 25   |
| 38   | 70  | 45  | 38   |
| 51   | 82  | 58  | 51   |
| 63   | 105 | 70  | 63.5 |
| 76   | 110 | 76  | 76   |
| 104  | 150 | 110 | 104  |

**45° 弯头    45° Elbow**



| SIZE | L1    | D     | R     |
|------|-------|-------|-------|
| 25   | 15.53 | 25.0  | 38.1  |
| 38   | 23.61 | 38.0  | 57.2  |
| 51   | 31.69 | 51.0  | 76.2  |
| 63   | 39.45 | 63.5  | 95.3  |
| 76   | 47.28 | 76.0  | 114.3 |
| 104  | 63.0  | 104.0 | 152.4 |

**45° 弯头(带直部)    45° Elbow with straight ends**



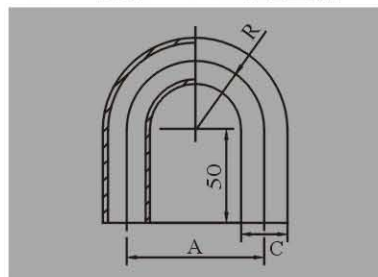
| SIZE | L1    | D     | R     |
|------|-------|-------|-------|
| 25   | 42.5  | 25.0  | 38.1  |
| 38   | 56.8  | 38.0  | 57.2  |
| 51   | 68.6  | 51.0  | 76.2  |
| 63   | 78.4  | 63.5  | 95.3  |
| 76   | 85.2  | 76.0  | 114.3 |
| 102  | 103.0 | 104.0 | 152.4 |

# SMS SANITARY GRADE PIPE FITTING

卫生级管道配件 (SMS)

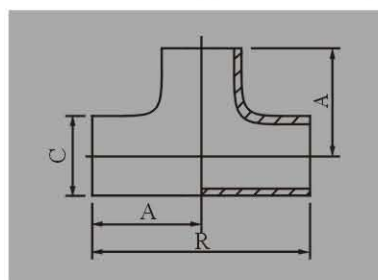
180° 弯头 R=1.5D(带直部)

180° elbow with straight ends R=1.5D



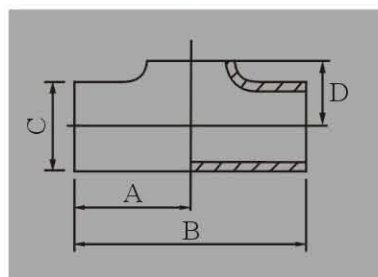
| SIZE | A     | R     | C    |
|------|-------|-------|------|
| 25   | 76.2  | 38.1  | 25   |
| 38   | 114.3 | 57.2  | 38   |
| 51   | 152.4 | 76.2  | 51   |
| 63   | 190.5 | 95.3  | 63.5 |
| 76   | 228.6 | 114.3 | 76   |
| 104  | 304.8 | 152.3 | 104  |

焊式三通(带直部) Tee with straight ends



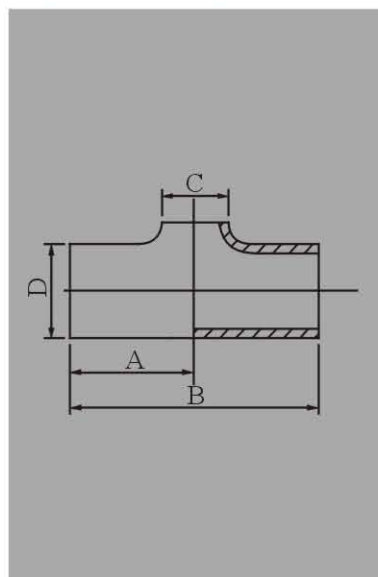
| SIZE | A   | B   | C    |
|------|-----|-----|------|
| 25   | 55  | 110 | 25   |
| 38   | 70  | 140 | 38   |
| 51   | 82  | 164 | 51   |
| 63   | 105 | 210 | 63.5 |
| 76   | 110 | 220 | 76   |
| 104  | 150 | 300 | 104  |

短切型焊式三通 Short extruded tee



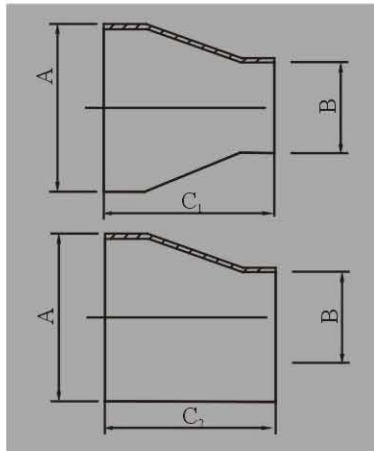
| SIZE | A   | B   | C    | D    |
|------|-----|-----|------|------|
| 25   | 55  | 110 | 25   | 14.5 |
| 38   | 70  | 140 | 38   | 21.5 |
| 51   | 82  | 164 | 51   | 29.5 |
| 63   | 105 | 210 | 63.5 | 36   |
| 76   | 110 | 220 | 76   | 43   |
| 104  | 150 | 300 | 104  | 57   |

短切型焊式变径三通 Reducing tee



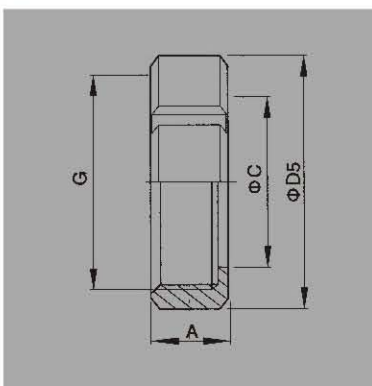
| SIZE   | A   | B   | C    | D    |
|--------|-----|-----|------|------|
| 38X25  | 70  | 140 | 25   | 38   |
| 51X25  | 82  | 164 | 25   | 51   |
| 51X38  | 82  | 164 | 38   | 51   |
| 63X25  | 105 | 210 | 25   | 63.5 |
| 63X38  | 105 | 210 | 38   | 63.5 |
| 63X51  | 105 | 210 | 51   | 63.5 |
| 76X25  | 110 | 220 | 25   | 76   |
| 76X38  | 110 | 220 | 38   | 76   |
| 76X51  | 110 | 220 | 51   | 76   |
| 76X63  | 110 | 220 | 63.5 | 76   |
| 104X25 | 150 | 300 | 25   | 104  |
| 104X38 | 150 | 300 | 38   | 104  |
| 104X51 | 150 | 300 | 51   | 104  |
| 104X76 | 150 | 300 | 76   | 104  |

同心大小头/偏心大小头 Concentric reducer / Eccentric reducer



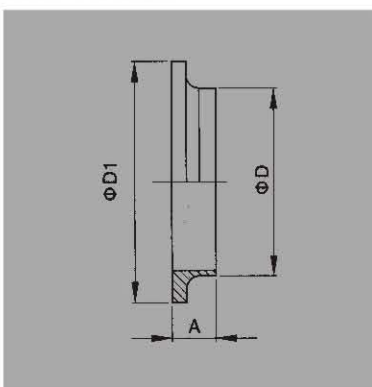
| SIZE   | A    | B    | C <sub>1</sub> | C <sub>2</sub> |
|--------|------|------|----------------|----------------|
| 38×25  | 38   | 25   | 39             | 46             |
| 51×25  | 51   | 25   | 57             | 68             |
| 51×38  | 51   | 38   | 39             | 47             |
| 63×38  | 63.5 | 38   | 57             | 70             |
| 63×51  | 63.5 | 51   | 39             | 44             |
| 76×38  | 76   | 38   | 74             | 92             |
| 76×51  | 76   | 51   | 57             | 68             |
| 76×63  | 76   | 63.5 | 39             | 47             |
| 104×51 | 104  | 51   | 95             | 117            |
| 104×63 | 104  | 63.5 | 78             | 94             |
| 104×76 | 104  | 76.1 | 60             | 74             |

圆螺母 Round Nut



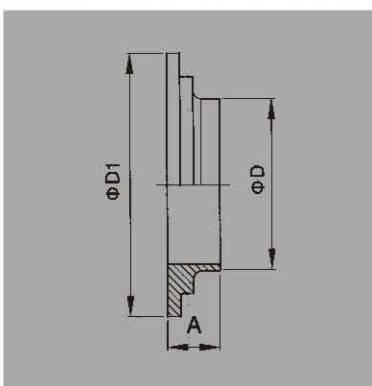
| SIZE | A    | G         | D5    | C      |
|------|------|-----------|-------|--------|
| 25   | 20.1 | RD40×1/6  | 50.0  | 32.0   |
| 32   | 20.0 | RD48×1/6  | 60.0  | 40.0   |
| 38   | 22.0 | RD60×1/6  | 72.0  | 48.0   |
| 51   | 22.0 | RD70×1/6  | 82.0  | 60.5   |
| 63   | 25.0 | RD85×1/6  | 97.0  | 74.0   |
| 76   | 26.0 | RD98×1/6  | 111.0 | 87.0   |
| 89   | 28.0 | RD110×1/6 | 125.0 | 100.00 |
| 102小 | 30.0 | RD125×1/6 | 138.0 | 117.0  |
| 102大 | 30.0 | RD132×1/6 | 146.0 | 117.0  |

圆弧型平接头 Circular Liner



| SIZE | A    | D     | D1    |
|------|------|-------|-------|
| 25   | 12.0 | 25.4  | 35.5  |
| 32   | 12.0 | 32.0  | 43.5  |
| 38   | 13.0 | 38.1  | 55.5  |
| 51   | 13.0 | 50.8  | 65.5  |
| 63   | 14.0 | 63.5  | 80.5  |
| 76   | 14.0 | 76.2  | 93.8  |
| 89   | 15.0 | 89.0  | 105.8 |
| 102小 | 17.0 | 101.6 | 118.0 |
| 102大 | 17.0 | 101.6 | 127.8 |

台阶型平接头 Stepped Liner

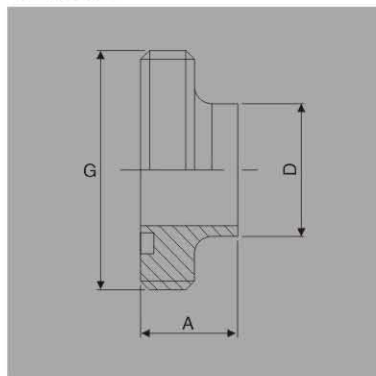


| SIZE | A    | D     | D1    |
|------|------|-------|-------|
| 25   | 12.0 | 25.4  | 35.5  |
| 32   | 12.0 | 32.0  | 43.5  |
| 38   | 13.0 | 38.1  | 55.5  |
| 51   | 13.0 | 50.8  | 65.5  |
| 63   | 14.0 | 63.5  | 80.5  |
| 76   | 14.0 | 76.2  | 93.8  |
| 89   | 15.0 | 89.0  | 105.8 |
| 102小 | 17.0 | 101.6 | 118.0 |
| 102大 | 17.0 | 101.6 | 127.8 |

# SMS SANITARY GRADE PIPE FITTING

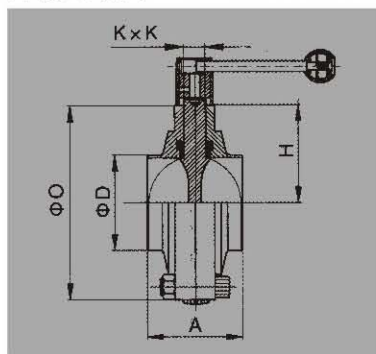
卫生级管道配件 (SMS)

## 螺纹接头 Male



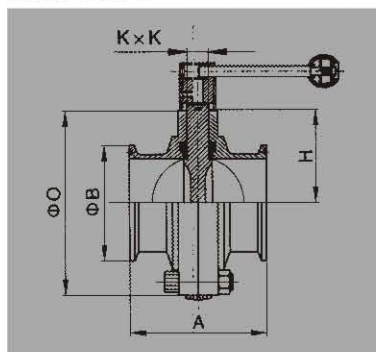
| SIZE | A    | G         | D     |
|------|------|-----------|-------|
| 25   | 18.0 | RD40x1/6  | 25.4  |
| 32   | 18.0 | RD48x1/6  | 32.0  |
| 38   | 20.0 | RD60x1/6  | 38.1  |
| 51   | 20.0 | RD70x1/6  | 50.8  |
| 63   | 24.0 | RD85x1/6  | 63.5  |
| 76   | 25.0 | RD98x1/6  | 76.2  |
| 89   | 26.0 | RD110x1/6 | 89.0  |
| 102小 | 27.0 | RD125x1/6 | 101.6 |
| 102大 | 27.0 | RD132x1/6 | 101.6 |

## 焊接式蝶阀 Welded butterfly valve



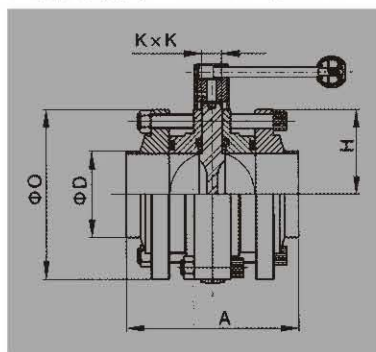
| SIZE | O     | D     | KxK       | A    | H    |
|------|-------|-------|-----------|------|------|
| 25   | 78.0  | 25.4  | 8.0x8.0   | 50.0 | 39.0 |
| 32   | 78.0  | 31.8  | 8.0x8.0   | 50.0 | 39.0 |
| 38   | 86.0  | 38.1  | 8.0x8.0   | 52.0 | 43.0 |
| 51   | 102.0 | 50.8  | 10.0x10.0 | 56.0 | 51.0 |
| 63   | 115.0 | 63.5  | 10.0x10.0 | 56.0 | 57.5 |
| 76   | 128.0 | 76.2  | 10.0x10.0 | 56.0 | 64.0 |
| 89   | 139.0 | 89.0  | 11.0x11.0 | 60.0 | 69.5 |
| 102  | 154.0 | 101.6 | 11.0x11.0 | 64.0 | 77.0 |

## 快装式蝶阀 Quick-install butterfly valve



| SIZE | O     | B     | KxK       | A     | H    |
|------|-------|-------|-----------|-------|------|
| 25   | 78.0  | 50.5  | 8.0x8.0   | 66.0  | 39.0 |
| 32   | 78.0  | 50.5  | 8.0x8.0   | 66.0  | 39.0 |
| 38   | 86.0  | 50.5  | 8.0x8.0   | 70.0  | 43.0 |
| 51   | 102.0 | 64.0  | 10.0x10.0 | 76.0  | 62.0 |
| 63   | 115.0 | 77.5  | 10.0x10.0 | 80.0  | 57.5 |
| 76   | 128.0 | 91.0  | 10.0x10.0 | 84.0  | 64.0 |
| 89   | 139.0 | 106.0 | 11.0x11.0 | 90.0  | 69.5 |
| 102  | 154.0 | 119.0 | 11.0x11.0 | 104.0 | 77.0 |

## 三片式蝶阀 Three-piece butterfly valve



| SIZE | O     | D     | KxK       | A     | H    |
|------|-------|-------|-----------|-------|------|
| 25   | 78.0  | 25.4  | 8.0x8.0   | 100.0 | 39.0 |
| 32   | 78.0  | 31.8  | 8.0x8.0   | 100.0 | 39.0 |
| 38   | 86.0  | 38.1  | 8.0x8.0   | 100.0 | 43.0 |
| 51   | 102.0 | 50.8  | 10.0x10.0 | 104.0 | 51.0 |
| 63   | 115.0 | 63.5  | 10.0x10.0 | 112.0 | 57.5 |
| 76   | 128.0 | 76.2  | 10.0x10.0 | 112.0 | 64.0 |
| 89   | 139.0 | 89.0  | 11.0x11.0 | 120.0 | 69.5 |
| 102  | 154.0 | 101.6 | 11.0x11.0 | 128.0 | 77.0 |