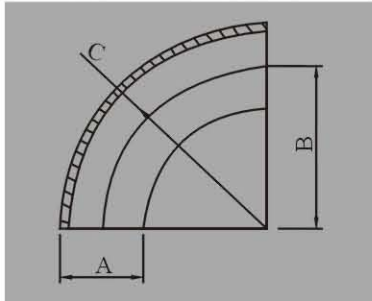
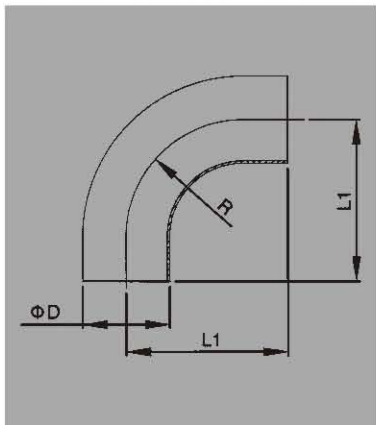


## 90° 弯头 90° elbow



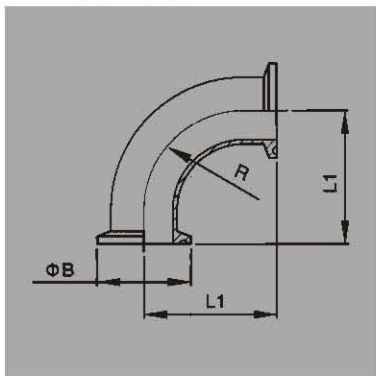
SIZE	A	B	C
DN25	28	50	50
DN32	34	55	55
DN40	40	60	60
DN50	52	70	70
DN65	70	80	80
DN80	85	90	90
DN100	104	100	100

## 90° 弯头(带直部) 90° Elbow with straight ends



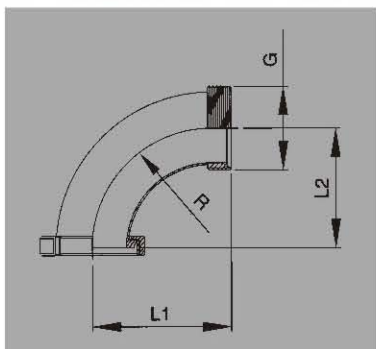
SIZE	L1	D	R
DN10	38.0	12.0	26.0
DN15	47.0	18.0	35.0
DN20	52.0	22.0	40.0
DN25	70.0	28.0	50.0
DN32	78.0	34.0	55.0
DN40	85.0	40.0	60.0
DN50	97.0	52.0	70.0
DN65	110.0	70.0	80.0
DN80	118.0	85.0	90.0
DN100	140.0	104.0	100.0

## 90° 卡箍式弯头 90° Clamped Elbow



SIZE	L1	B	R
DN15	53.0	34.0	35.0
DN20	58.0	34.0	40.0
DN25	71.0	50.5	50.0
DN32	76.5	50.5	55.0
DN40	81.5	50.5	60.0
DN50	91.5	64.0	70.0
DN65	108.0	91.0	80.0
DN80	118.0	106.0	90.0
DN100	128.0	119.0	100.0

## 90° 活接式弯头 90° Union-type Elbow

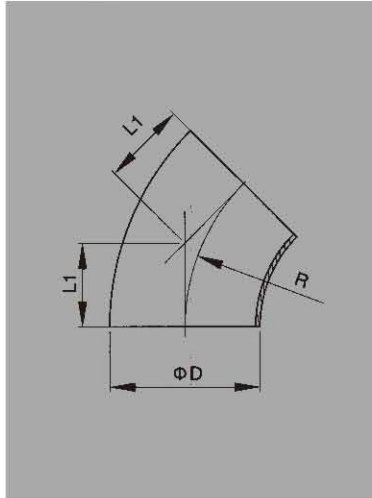


SIZE	L1	L2	G	R
DN20	59.0	55.0	RD44 × 1/6	40.0
DN25	70.0	67.0	RD52 × 1/6	50.0
DN32	75.0	72.0	RD58 × 1/6	55.0
DN40	80.0	79.0	RD65 × 1/6	60.0
DN50	91.0	90.0	RD78 × 1/6	70.0
DN65	103.0	100.0	RD95 × 1/6	80.0
DN80	115.0	113.0	RD110 × 1/4	90.0
DN100	128.0	126.0	RD130 × 1/4	100.0

# DIN SANITARY GRADE PIPE FITTING

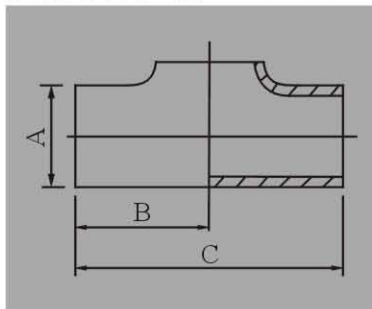
卫生级管道配件 (DIN)

## 45° 弯头 45° Elbow



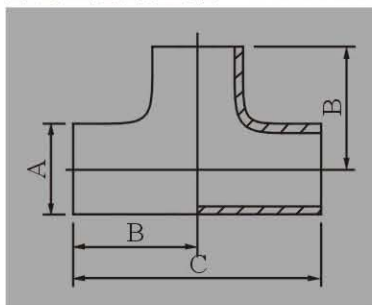
SIZE	L1	D	R
DN10	10.7	12.0	26.0
DN15	14.5	18.0	35.0
DN20	16.5	22.0	40.0
DN25	20.7	28.0	50.0
DN32	22.8	34.0	55.0
DN40	24.8	40.0	60.0
DN50	29.0	52.0	70.0
DN65	33.2	70.0	80.0
DN80	37.3	85.0	90.0
DN100	41.5	104.0	100.0
DN125	77.5	129.0	187.0
DN150	93.2	154.0	225.0

## 短切型焊式三通 Short extruded tee



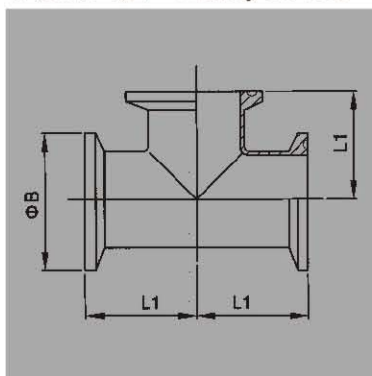
SIZE	A	B	C
DN25	28	50	100
DN32	34	55	110
DN40	40	60	120
DN50	52	70	140
DN65	70	80	160
DN80	85	90	180
DN100	104	100	200

## 焊式三通(带直部) Tee with straight ends



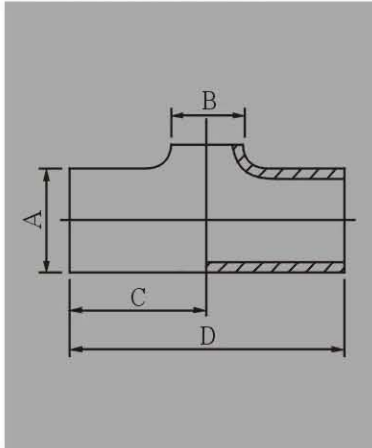
SIZE	A	B	C
DN25	28	50	100
DN32	34	55	110
DN40	40	60	120
DN50	52	70	140
DN65	70	80	160
DN80	85	90	180
DN100	104	100	200

## 卡箍式三通 Clamped Tee



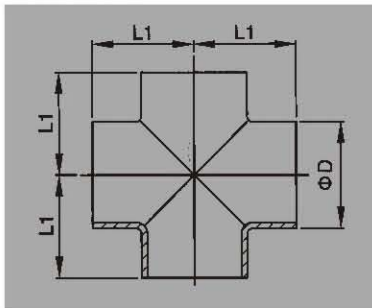
SIZE	L1	B
DN15	53.0	34.0
DN20	58.0	34.0
DN25	71.5	50.5
DN32	76.5	50.5
DN40	81.5	50.5
DN50	91.5	64.0
DN65	108.0	91.0
DN80	118.0	106.0
DN100	128.0	119.0

**短切型焊式变径三通 Short extruded reducing tee**



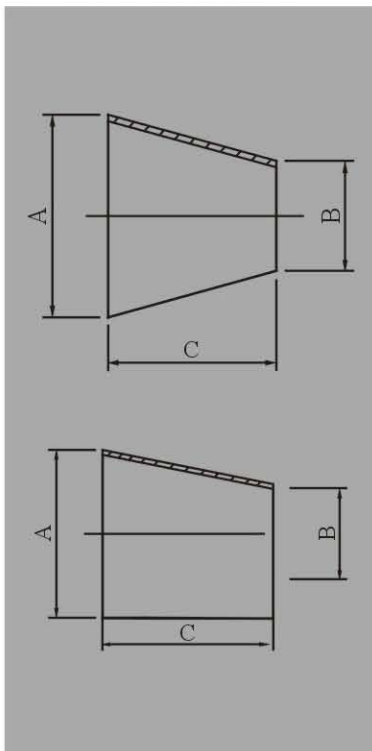
SIZE	A	B	C	D
DN32/25	34	28	55	110
DN40/25	40	28	60	120
DN40/32	40	34	60	120
DN50/32	52	34	70	140
DN50/40	52	40	70	140
DN65/50	70	52	80	160
DN80/50	85	52	90	180
DN80/65	85	70	90	180
DN100/50	104	52	100	200
DN100/65	104	70	100	200
DN100/80	104	85	100	200

**焊接式四通 Welded Cross**



SIZE	L1	D
Dn25	50.0	28.0
DN32	55.0	34.0
DN40	60.0	40.0
DN50	70.0	52.0
DN65	80.0	70.0
DN80	90.0	85.0
DN100	100.0	104.0

**同心大小头/偏心大小头 Concentric reducer / Eccentric reducer**

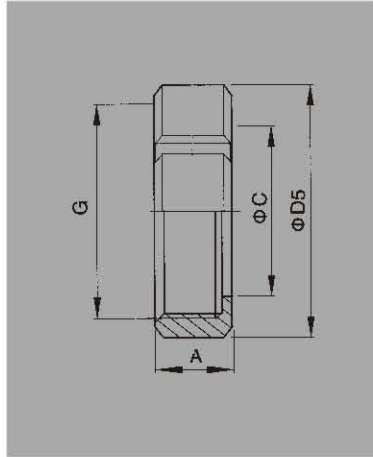


SIZE	A	B	C
DN25/20	28	22	11
DN32/20	34	22	22
DN32/25	34	28	11
DN40/20	40	22	33
DN40/25	40	28	22
DN40/32	40	34	11
DN50/25	52	28	44
DN50/32	52	34	33
DN50/40	52	40	22
DN65/25	70	28	73
DN65/32	70	34	62
DN65/40	70	40	51
DN65/50	70	52	29
DN80/40	85	40	78
DN80/50	85	52	56
DN80/65	85	70	27
DN100/50	104	52	90
DN100/65	104	70	61
DN100/80	104	85	34

# DIN SANITARY GRADE PIPE FITTING

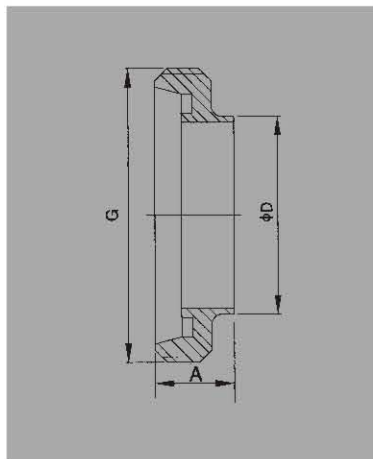
卫生级管道配件 ( DIN )

## 圆螺母 Round Nut



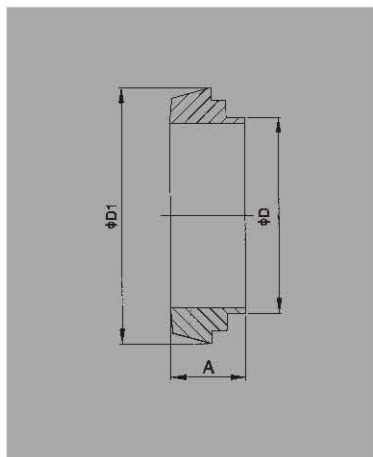
SIZE	A	G	D5	C
DN15	18.0	RD34 × 1/8	44.0	25.0
DN20	20.0	RD44 × 1/6	54.0	31.0
DN25	21.0	RD52 × 1/6	63.0	36.0
DN32	21.0	RD58 × 1/6	70.0	42.0
DN40	21.0	RD65 × 1/6	78.0	49.0
DN50	22.0	RD78 × 1/6	92.0	62.0
DN65	25.0	RD95 × 1/6	110.0	80.0
DN80	27.0	RD110 × 1/4	125.0	94.0
DN100	29.0	RD130 × 1/4	146.0	115.0
DN125	32.0	RD160 × 1/4	178.0	138.0
DN150	38.0	RD190 × 1/4	210.0	164.0

## 螺纹接头 Male



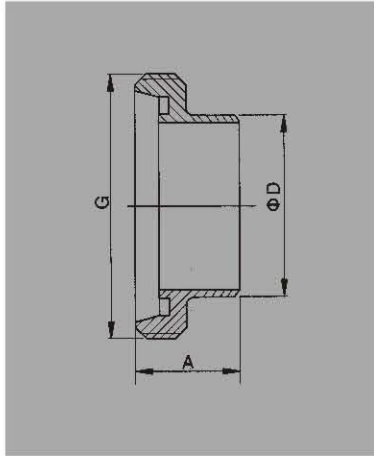
SIZE	A	D	G
DN15	17.0	18.0	RD34 × 1/8
DN20	19.0	22.0	RD44 × 1/6
DN25	20.0	28.0	RD52 × 1/6
DN32	20.0	34.0	RD58 × 1/6
DN40	20.0	40.0	RD65 × 1/6
DN50	21.0	52.0	RD78 × 1/6
DN65	23.0	70.0	RD95 × 1/6
DN80	25.0	85.0	RD110 × 1/4
DN100	28.0	104.0	RD130 × 1/4
DN125	30.0	129.0	RD160 × 1/4
DN150	35.0	154.0	RD190 × 1/4

## 平接头 Liner



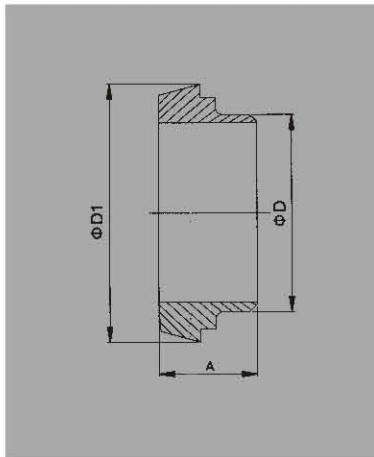
SIZE	A	D	D1
DN15	13.0	18.0	28.0
DN20	15.0	22.0	36.0
DN25	17.0	28.0	44.0
DN32	17.0	34.0	50.0
DN40	19.0	40.0	56.0
DN50	20.0	52.0	68.0
DN65	20.0	70.0	86.0
DN80	23.0	85.0	100.0
DN100	26.0	104.0	121.0
DN125	33.0	129.0	150.0
DN150	34.0	154.0	176.0

**长型螺纹接头 Long-type Male**



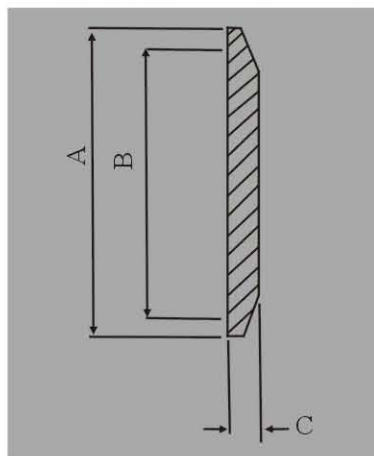
SIZE	A	D	G
DN15	21.0	21.0	RD34 × 1/8
DN20	24.0	25.0	RD44 × 1/6
DN25	29.0	31.0	RD52 × 1/6
DN32	32.0	37.0	RD58 × 1/6
DN40	33.0	43.0	RD65 × 1/6
DN50	35.0	55.0	RD78 × 1/6
DN65	40.0	72.0	RD95 × 1/6
DN80	45.0	87.0	RD110 × 1/4
DN100	54.0	106.0	RD130 × 1/4
DN125	46.0	132.0	RD160 × 1/4
DN150	50.0	157.0	RD190 × 1/4

**长型平接头 Long-type Liner**



SIZE	A	D	D1
DN15	17.0	18.0	28.0
DN20	18.0	22.0	36.0
DN25	22.0	28.0	44.0
DN32	25.0	34.0	50.0
DN40	26.0	40.0	56.0
DN50	28.0	52.0	68.0
DN65	32.0	70.0	86.0
DN80	37.0	85.0	100.0
DN100	44.0	104.0	121.0
DN125	34.0	129.0	150.0
DN150	37.0	154.0	176.0

**德规快装堵头 An 302 solid end**

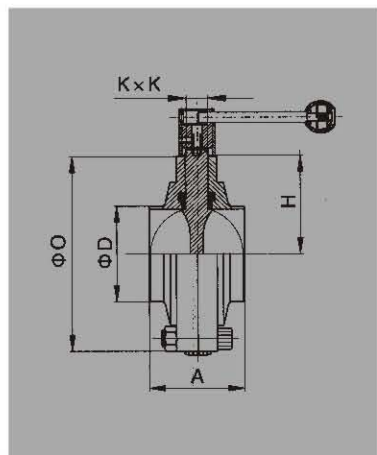


SIZE	A	B	C
DN8	34.00	27.5	4.70
DN10	34.00	27.5	4.70
DN15	34.00	27.5	4.70
DN20	50.40	43.5	6.40
DN25	50.40	43.5	6.40
DN32	50.40	43.5	6.40
DN40	64.00	56.5	6.40
DN50	77.40	70.5	6.40
DN65	90.90	83.5	6.40
DN80	106.00	97.00	6.40
DN100	130.00	122.00	7.90

# DIN SANITARY GRADE PIPE FITTING

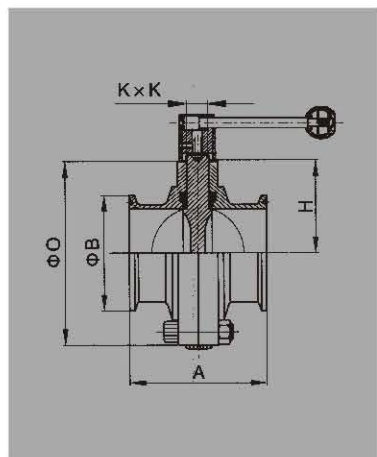
卫生级管道配件 (DIN)

## 焊接式蝶阀 Welded butterfly valve



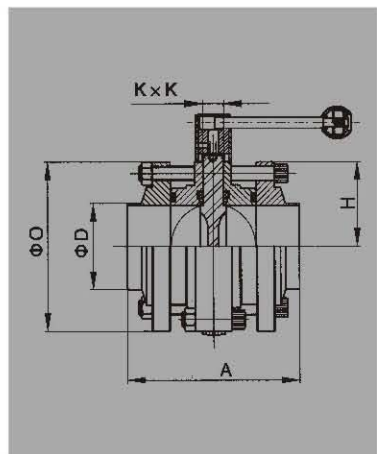
SIZE	O	D	K×K	A	H
DN15	78.0	18.0	8.0×8.0	50.0	39.0
DN20	78.0	22.0	8.0×8.0	50.0	39.0
DN25	78.0	28.0	8.0×8.0	50.0	39.0
DN32	86.0	34.0	8.0×8.0	50.0	43.0
DN40	95.0	40.0	8.0×8.0	50.0	45.0
DN50	108.0	52.0	10.0×10.0	52.0	53.0
DN65	125.0	70.0	10.0×10.0	56.0	62.0
DN80	140.0	85.0	11.0×11.0	60.0	69.5
DN100	160.0	104.0	11.0×11.0	64.0	79.5
DN125	190.0	129.0	11.0×11.0	80.0	92.5
DN150	220.0	154.0	11.0×11.0	90.0	107.5

## 卡箍式蝶阀 Clamped butterfly valve



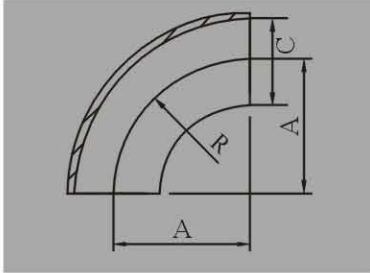
SIZE	O	B	K×K	A	H
DN15	78.0	34.0	8.0×8.0	66.0	39.0
DN20	78.0	34.0	8.0×8.0	66.0	39.0
DN25	78.0	50.5	8.0×8.0	66.0	39.0
DN32	86.0	50.5	8.0×8.0	66.0	43.0
DN40	95.0	50.5	8.0×8.0	70.0	45.0
DN50	108.0	64.0	10.0×10.0	76.0	51.0
DN65	125.0	91.0	10.0×10.0	80.0	60.0
DN80	140.0	106.0	11.0×11.0	84.0	69.5
DN100	160.0	119.0	11.0×11.0	104.0	77.0
DN125	190.0	145.0	11.0×11.0	136.0	92.5
DN150	220.0	167.0	11.0×11.0	146.0	107.5

## 三片式蝶阀 Three-piece butterfly valve



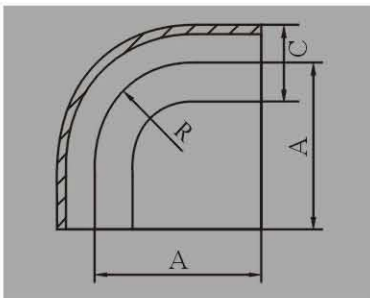
SIZE	O	D	K×K	A	H
DN15	78.0	18.0	8.0×8.0	100.0	39.0
DN20	78.0	22.0	8.0×8.0	100.0	39.0
DN25	78.0	28.0	8.0×8.0	100.0	39.0
DN32	78.0	34.0	8.0×8.0	100.0	39.0
DN40	95.0	40.0	8.0×8.0	100.0	45.0
DN50	108.0	52.0	10.0×10.0	104.0	51.0
DN65	125.0	70.0	10.0×10.0	112.0	60.0
DN80	140.0	85.0	11.0×11.0	120.0	67.0
DN100	160.0	104.0	11.0×11.0	128.0	77.0
DN125	190.0	129.0	11.0×11.0	160.0	92.5
DN150	220.0	154.0	11.0×11.0	180.0	107.5

**90° 弯头 R=1.5D 90° elbow R=1.5D**



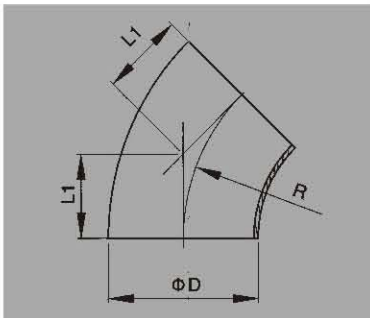
SIZE	A	R	C
25	37.5	38.1	25
38	57	57.2	38
51	76.5	76.2	51
63	95.25	95.2	63.5
76	114.15	114.3	76
104	152.1	152.4	104

**90° 弯头 R=1D(带直部) 90° elbow with straight ends R=1D**



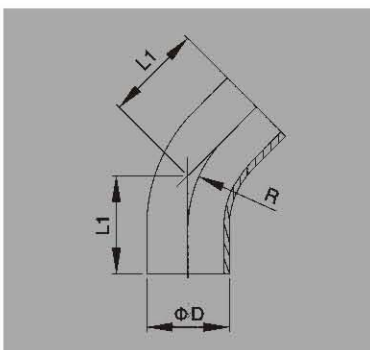
SIZE	A	R	C
25	55	32	25
38	70	45	38
51	82	58	51
63	105	70	63.5
76	110	76	76
104	150	110	104

**45° 弯头 45° Elbow**



SIZE	L1	D	R
25	15.53	25.0	38.1
38	23.61	38.0	57.2
51	31.69	51.0	76.2
63	39.45	63.5	95.3
76	47.28	76.0	114.3
104	63.0	104.0	152.4

**45° 弯头(带直部) 45° Elbow with straight ends**



SIZE	L1	D	R
25	42.5	25.0	38.1
38	56.8	38.0	57.2
51	68.6	51.0	76.2
63	78.4	63.5	95.3
76	85.2	76.0	114.3
102	103.0	104.0	152.4