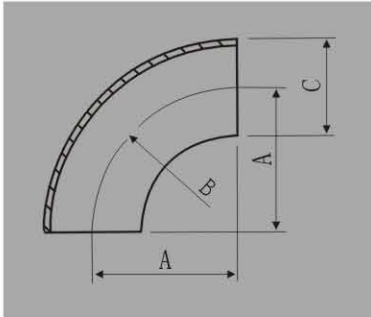
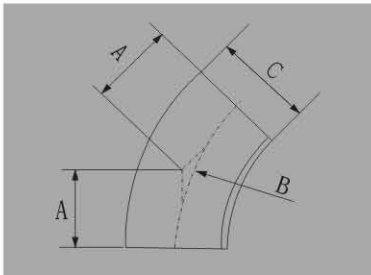


90° 弯头 90° elbow



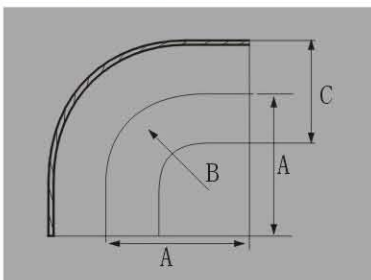
SIZE	A	B	C
1.0"	38.1	38.1	25.4
1.5"	57.2	57.2	38.1
2.0"	76.2	76.2	50.8
2.5"	95.3	95.3	63.5
3.0"	114.3	114.3	76.2
4.0"	152.4	152.4	101.6

45° 弯头 45° elbow



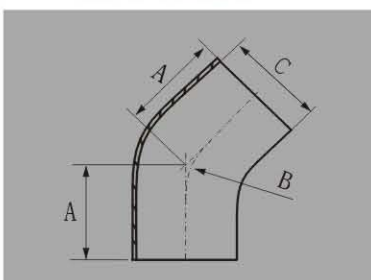
SIZE	A	B	C
1.0"	15.9	38.1	25.4
1.5"	23.8	57.2	38.1
2.0"	31.8	76.2	50.8
2.5"	39.7	95.3	63.5
3.0"	47.6	114.3	76.2
4.0"	63.5	152.4	101.6

90° 弯头 (带直部) 90° elbow with straight ends



SIZE	A	B	C
1.0"	52.4	38.1	25.4
1.5"	74.6	57.2	38.1
2.0"	103.2	76.2	50.8
2.5"	131.8	95.3	63.5
3.0"	160.3	114.3	76.2
4.0"	211.1	152.4	101.6

45° 弯头 (带直部) 45° elbow with straight ends

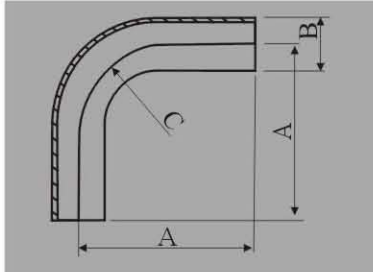


SIZE	A	B	C
1.0"	30.2	38.1	25.4
1.5"	41.3	57.2	38.1
2.0"	58.7	76.2	50.8
2.5"	76.2	95.3	63.5
3.0"	93.7	114.3	76.2
4.0"	122.2	152.4	101.6

3A SANITARY GRADE PIPE FITTING

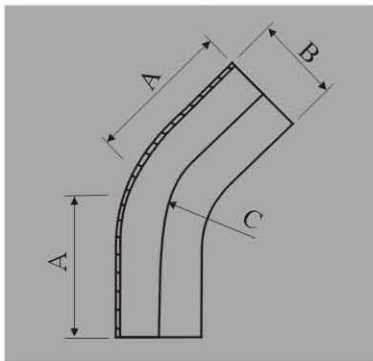
卫生级管道配件 (3A)

90° 弯头特长型 90° elbow with long straight ends



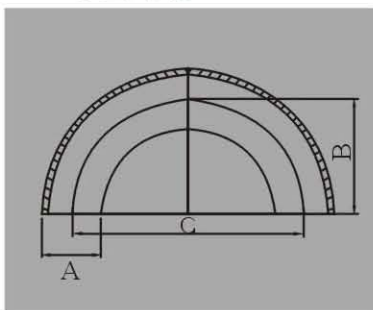
SIZE	A	B	C
1.0"	76.2	25.4	38.1
1.5"	95.3	38.1	57.2
2.0"	120.7	50.8	76.2
2.5"	139.7	63.5	95.3
3.0"	158.9	76.2	114.3
4.0"	203.2	101.6	152.4

45° 弯头特长型 45° elbow with long straight ends



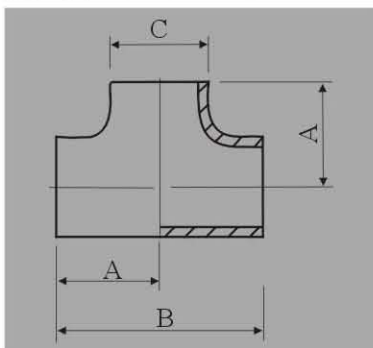
SIZE	A	B	C
1.0"	57.2	25.4	38.1
1.5"	63.5	38.1	57.2
2.0"	76.2	50.8	76.2
2.5"	85.9	63.5	95.3
3.0"	91.9	76.2	114.3
4.0"	114.3	101.6	152.4

180° 圆形弯管 180° Elbow



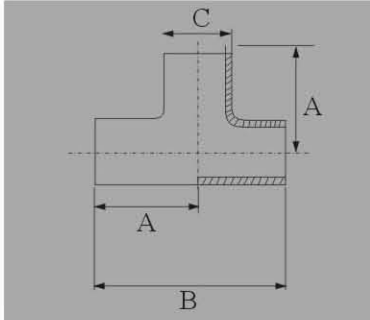
SIZE	A	B	C
1.0"	25.4	38.1	76.2
1.5"	38.1	57.15	114.3
2.0"	50.8	76.2	152.4
2.5"	63.5	95.25	190.5
3.0"	76.2	114.3	228.6
4.0"	101.6	152.4	304.8

短三通 Short tee



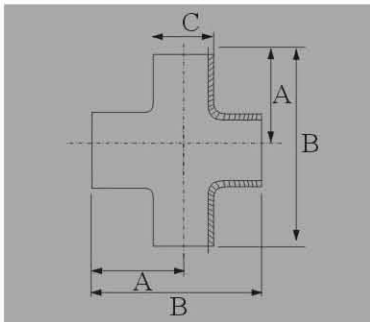
SIZE	A	B	C
1.0"	28.6	57.2	25.4
1.5"	42.05	84.1	38.1
2.0"	52.35	104.7	50.8
2.5"	59.55	119.1	63.5
3.0"	65.9	131.8	76.2
4.0"	87.35	174.7	101.6

长三通 Long tee



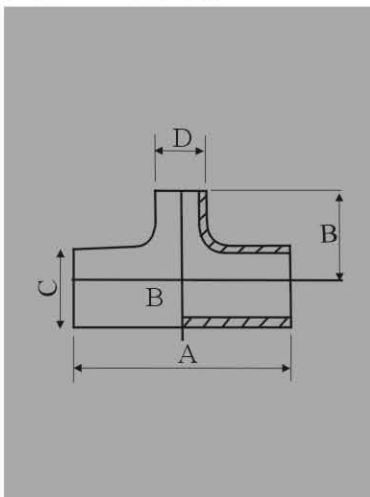
SIZE	A	B	C
1.0 "	47.6	95.2	25.4
1.5 "	57.2	114.4	38.1
2.0 "	76.2	152.4	50.8
2.5 "	76.2	152.4	63.5
3.0 "	82.6	165.2	76.2
4.0 "	98.4	196.8	101.6

长十字通 Long Cross



SIZE	A	B	C
1.0 "	47.6	95.2	25.4
1.5 "	57.2	114.4	38.1
2.0 "	76.2	152.4	50.8
2.5 "	76.2	152.4	63.5
3.0 "	82.6	165.2	76.2
4.0 "	98.4	196.8	101.6

短变径三通/长变径三通 Short reducing tee/Long reducing tee

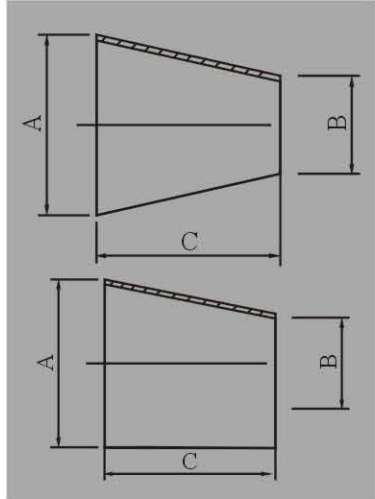


SIZE	A	B	C	D		
1.5"x1.0"	84.1	114.3	34.9	54.15	38.1	25.4
2.0"x1.0"	104.8	152.4	41.3	60.3	50.8	25.4
2.0"x1.5"	104.8	152.4	48.4	63.5	50.8	38.1
2.5"x1.5"	119.1	152.4	54.8	69.85	63.5	38.1
2.5"x2.0"	119.1	152.4	58.7	82.55	63.5	50.8
3.0"x1.5"	131.8	152.4	61.1	76.2	76.2	38.1
3.0"x2.0"	131.8	165.1	65.1	88.9	76.2	50.8
3.0"x2.5"	131.8	165.1	65.9	82.6	76.2	63.5
4.0"x1.5"	174.6	165.1	73.8	88.9	101.6	38.1
4.0"x2.0"	174.6	197.1	77.8	101.6	101.6	50.8
4.0"x2.5"	174.6	197.1	78.6	95.3	101.6	63.5
4.0"x3.0"	174.6	197.1	78.6	95.3	101.6	76.2

3A SANITARY GRADE PIPE FITTING

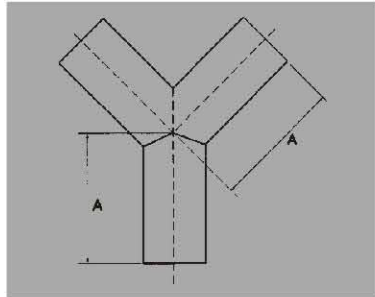
卫生级管道配件 (3A)

同心大小头/偏心大小头 Concentric reducer / Eccentric reducer



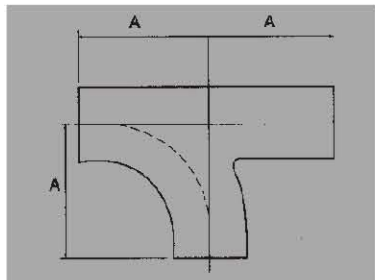
SIZE	A	B	C
1.5"×1.0"	38.1	25.4	50.8
2.0"×1.0"	50.8	25.4	101.6
1.5"×1.0"	50.8	38.1	50.8
2.5"×1.5"	63.5	38.1	101.6
2.5"×2.0"	63.5	50.8	50.8
3.0"×1.5"	76.2	38.1	152.4
3.0"×2.0"	76.2	50.8	101.6
3.0"×2.5"	76.2	63.5	50.8
4.0"×1.5"	101.6	38.1	254.0
4.0"×2.0"	101.6	50.8	203.2
4.0"×2.5"	101.6	63.5	152.4
4.0"×3.0"	101.6	76.2	101.6

对焊“Y”型三通 Butt weld Y-type Tee



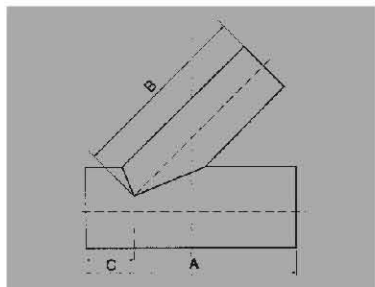
SIZE	A
1"	76.2
1.5"	76.2
2"	101.6
2.5"	127
3"	152.4
4"	203.2

对焊“Y”型三通 Butt weld Y-type Tee



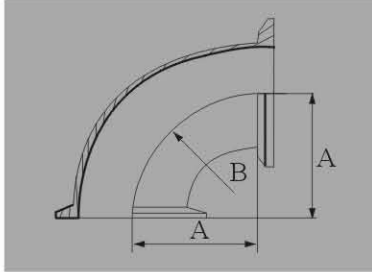
SIZE	A
1"	65.0
1.5"	85.0
2"	110.0
2.5"	135.0
3"	155.0
4"	195.0

对焊“Y”型三通 Butt weld Y-type Tee



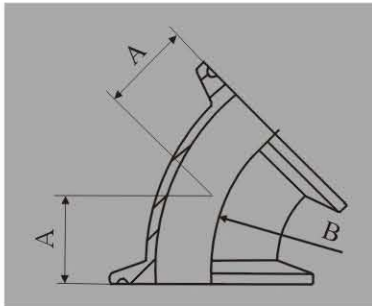
SIZE	A	B	C
1"	152.4	127.0	25.4
1.5"	187.3	173.1	30.2
3"	222.2	180.9	41.3
2.5"	254	215.9	38.1
3"	273.1	225.4	47.6
4"	325.5	273.1	52.4

90° 卡箍式弯头 90° clamped elbow



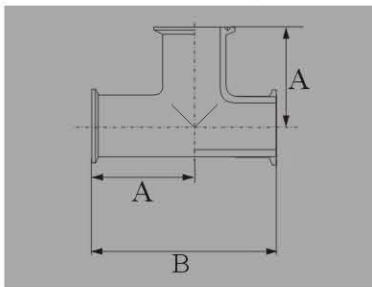
SIZE	A	B
1.0"	50.8	38.1
1.5"	69.9	57.2
2.0"	88.9	76.2
2.5"	108.0	95.3
3.0"	127.0	114.3
4.0"	168.3	152.4

45° 卡箍式弯头 45° clamped elbow



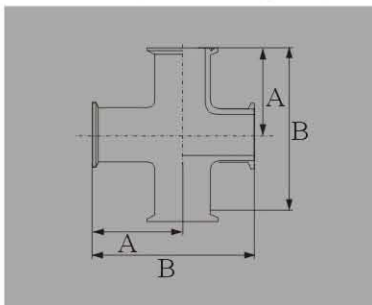
SIZE	A	B
1.0"	28.6	38.1
1.5"	36.5	57.2
2.0"	44.5	76.2
2.5"	52.4	95.3
3.0"	60.3	114.3
4.0"	79.4	152.4

卡箍式三通 Clamped tee



SIZE	A	B
1.0"	60.3	120.6
1.5"	69.9	139.8
2.0"	88.9	177.8
2.5"	88.9	177.8
3.0"	95.3	190.6
4.0"	114.3	228.6

卡箍式十字通 Clamped cross

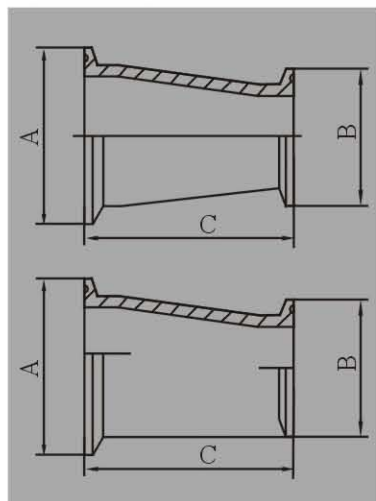


SIZE	A	B
1.0"	60.3	120.6
1.5"	69.9	139.8
2.0"	88.9	177.8
2.5"	88.9	177.8
3.0"	95.3	190.6
4.0"	114.3	228.6

3A SANITARY GRADE PIPE FITTING

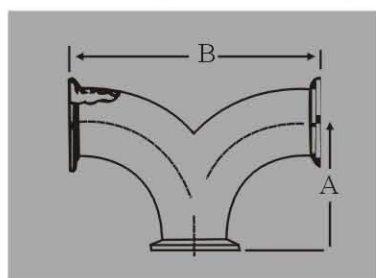
卫生级管道配件 (3A)

卡箍式同心大小头/偏心大小头 Clamped concentric reducer / Eccentric reducer



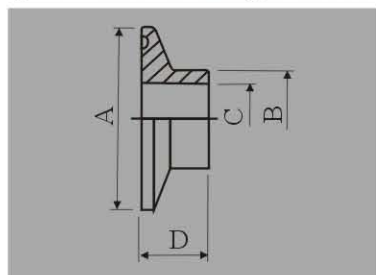
SIZE	A	B	C
1.5" × 1.0"	50.4	50.4	76.2
2.0" × 1.0"	63.9	50.4	127.0
2.0" × 1.5"	63.9	50.4	76.2
1.5" × 1.0"	77.5	50.4	177.8
2.5" × 1.5"	77.5	50.4	127.0
2.5" × 2.0"	77.5	63.9	76.2
3.0" × 1.5"	90.9	50.4	177.8
3.0" × 2.0"	90.9	63.9	127.0
3.0" × 2.5"	90.9	77.5	76.2
4.0" × 2.0"	118.9	63.9	231.8
4.0" × 2.5"	118.9	77.5	181.0
4.0" × 3.0"	118.9	90.9	130.2

Y型三通 Special Y fitting



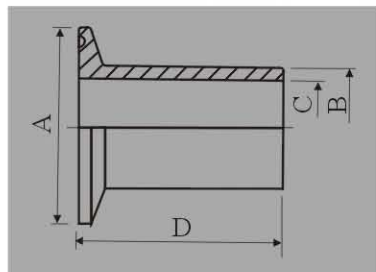
SIZE	A	B
1.5"	69.85	139.7
2.0"	88.9	177.8
2.5"	107.9	215.9
3.0"	127.0	228.6

卡盘 Butt welding ferrule



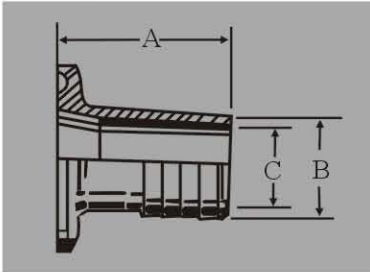
SIZE	A	B	C	D ₁	D ₂	D ₃
1.0"	50.4	25.4	22.1	12.7	21.5	28.6
1.5"	50.4	38.1	34.8	12.7	21.5	28.6
2.0"	63.9	50.8	47.5	12.7	21.5	28.6
2.5"	77.5	63.5	60.2	12.7	21.5	28.6
3.0"	90.9	76.2	72.9	12.7	21.5	28.6
4.0"	118.9	101.6	97.4	15.9	21.5	28.6

焊接长形卡箍式平接头 Long type butt welding ferrule



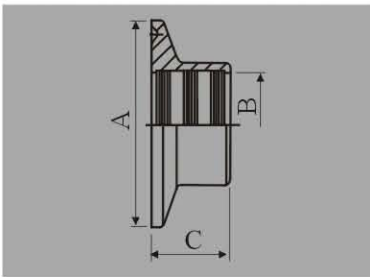
SIZE	A	B	C	D
1.0"	50.4	25.4	22.1	44.5
1.5"	50.4	38.1	34.8	44.5
2.0"	63.9	50.8	47.5	57.2
2.5"	77.5	63.5	60.2	57.2
3.0"	90.9	76.2	72.9	57.2
4.0"	118.9	101.6	97.4	57.2

水管接头 Rubber hose adapter



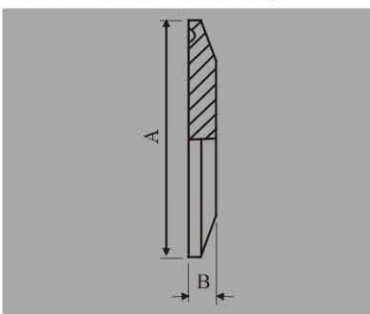
SIZE	A	B	C
1.0"	114.3	22.1	25.4
1.5"	114.3	34.8	38.1
2.0"	114.3	47.5	50.8
2.5"	114.3	60.2	63.5
3.0"	114.3	72.9	76.2
4.0"	117.5	97.4	101.6

胀形卡箍式平接头 Recessless ferrule (For expanding)



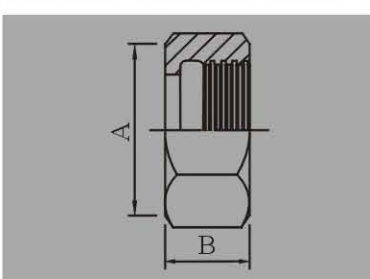
SIZE	A	B	C
1.0"	50.4	25.4	19.1
1.5"	50.4	38.1	28.6
2.0"	63.9	50.8	33.4
2.5"	77.5	63.5	34.9
3.0"	90.9	76.2	36.5
4.0"	118.9	101.6	38.1

闷板 Solid end cap



SIZE	A	B
1.0"	50.4	6.3
1.5"	50.4	6.3
2.0"	63.9	6.3
2.5"	77.5	6.3
3.0"	90.9	6.3
4.0"	118.9	7.9

六角螺母 Nut/hex union nut

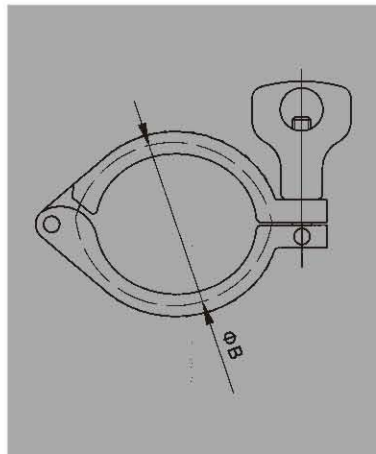


SIZE	A	B
1.0"	46.0	23.0
1.5"	61.1	24.6
2.0"	76.2	27.0
2.5"	91.3	30.2
3.0"	106.5	32.5
4.0"	137.7	38.1

3A SANITARY GRADE PIPE FITTING

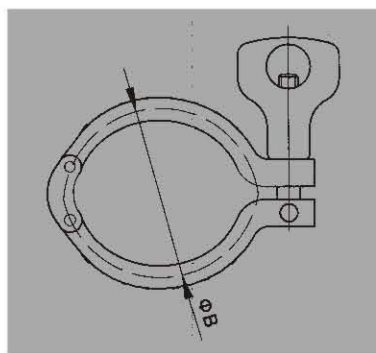
卫生级管道配件 (3A)

重型卡箍 Heavy duty Clamp



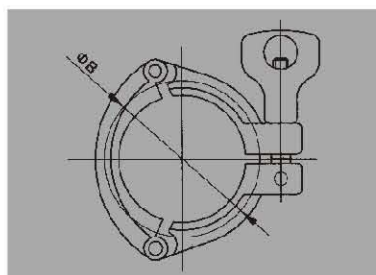
SIZE	B
1/2"	28.0
3/4"	28.0
1"	53.9
1.5"	53.9
2"	67.4
2.5"	80.9
3"	94.4
4"	122.4
6"	170.4
8"	221.2
10"	270.0

双销卡箍 Double-pin Clamp



SIZE	B
1"	53.6
1.5"	53.6
2"	67.0
2.5"	80.6
3"	94.0
4"	122.0
6"	170.0
8"	220.8

三片式卡箍 Three-piece Clamp



SIZE	B
1"	53.9
1.5"	53.9
2"	67.4
2.5"	80.9
3"	94.4
4"	122.4