

# BUTTERFLY VALVE

Automation  
Simplified...



- Solenoid Valve
- Angle Seat Valve
- Rotary Coupling
- Pneumatic Directional Control Valve
- Actuator
- Cylinder
- One Touch Fitting
- Ball Valve
- Butterfly Valve

Country of Origin - INDIA



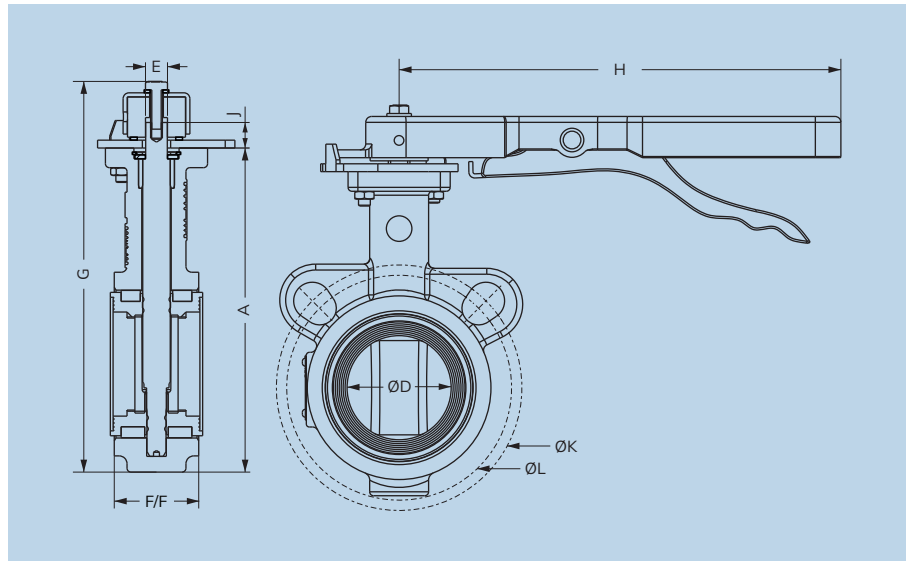
Specifications

End Connection :	Wafer - API 609 (CAT - A)
Size :	DN40 - DN300
Suitable :	ASME B16.5 150#
Pressure Range :	PN06, PN10, PN16
Leakage Class :	100% Tightness at fully differential pressure
Standard :	API 609, BS 5155, ISO 5211, API 598, ASME B16.5
Body Material :	Cast Iron(CI), SGI, WCB, CF8, CF8M
Disc Material :	SGI, CF8, CF8M, WCB
Stem Material :	SS410, SS304, SS316
Body Liner / Seat Material :	NBR, EPDM, VITON
Shaft Bearing Material :	PTFE

Features

- ☑ Bi-directional zero leakage butterfly valve.
- ☑ ISO Pad for mounting, Gear Operator / Actuator
- ☑ Extremely small play between the stem and disc due to 'Double D' drive.
- ☑ Accurate dual stem sealing prevents leakage.
- ☑ Butterfly valve can be mounted between flanges as per ASME.
- ☑ 100% Tested With Pneumatic And Fluid (Water) Media.
- ☑ Design Standard : ISO 5211, API 609, ASME B16.5 150#.
- ☑ Face to Face Dimension : API 609 (CAT A).
- ☑ Operator mounting flange : As per ISO 5211.
- ☑ Operator : Hand Lever / Gear / Actuator
- ☑ Leakage Class : 100% tightness at full differential Pressure.

Hand Lever Operated Wafer Type Butterfly Valve

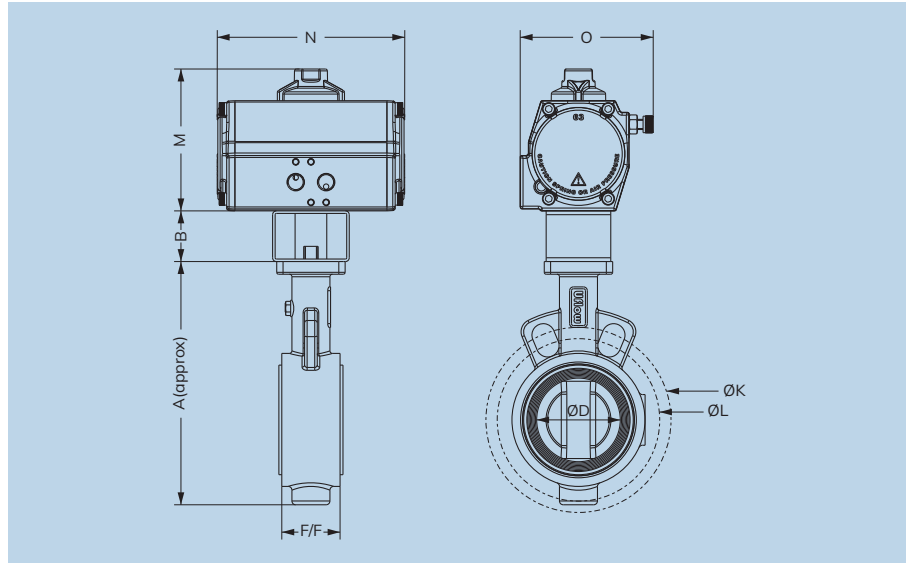


Technical Data (All dimensions are in mm)

All dimensions are approx.

Size	A	ØD	F/F	ØK	ØL	G	J	H	E	MOUNTING FLANGE
40 MM	140	40	33	105	98	173	12	225	11	F05
50 MM	165	50	43	125	114	199	13	225	11	F05
65 MM	192	65	46	145	127	226	12	225	11	F05
80 MM	218	80	46	164	146	252	14	225	11	F05
100 MM	243	100	52	190	179	275	17	260	14	F07
125 MM	276	125	56	216	200	310	20	260	17	F07
150 MM	310	150	56	241	225	344	19	260	17	F07
200 MM	404	200	60	298	292	442	22	290	22	F07/F10
250 MM	470	250	68	362	350	510	25	290	22	F07/F10

Pneumatic Operated Wafer Type Butterfly Valve - PN10



Technical Data - Butterfly Valve with Double Acting Actuator (All dimensions are in mm)

All dimensions are approx.

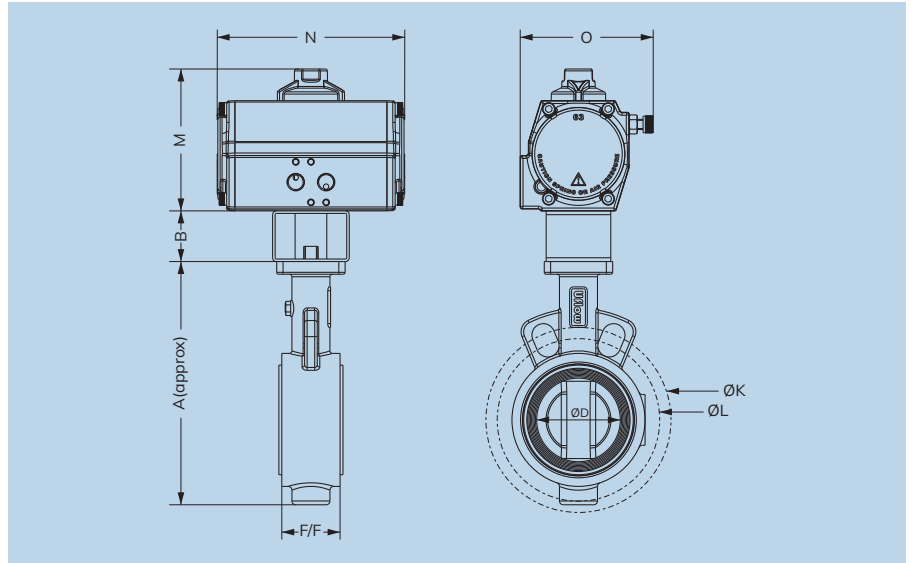
Size	Actuator	Coupler	A	B	ØD	F/F	ØK	ØL	M	N	O	Mounting Flange
40 MM	50	NA	140	-	40	33	105	98	99	130	85	F05
50 MM	50	NA	165	-	50	43	125	114	99	130	85	F05
65 MM	50	NA	192	-	65	46	145	127	99	130	85	F05
80 MM	50	NA	218	-	80	46	164	146	99	130	85	F05
100 MM	63	NA	243	-	100	52	190	179	112	147	105	F07
125 MM	80	NA	276	-	125	56	216	200	128	170	114	F07
150 MM	80	NA	310	-	150	56	241	225	128	170	114	F07
200 MM	100	NA	404	-	200	60	298	292	154	220	150	F07/F10
250 MM	125	NA	470	-	250	68	362	350	185	389	174	F07/F10
300 MM	150	NA	562	-	300	78	432	400	219	465	205	F12

Technical Data - Butterfly Valve with Single Acting Actuator (All dimensions are in mm)

All dimensions are approx.

Size	Actuator	Coupler	A	B	ØD	F/F	ØK	ØL	M	N	O	Mounting Flange
40 MM	50	NA	140	-	40	33	105	98	99	162	85	F05
50 MM	50	NA	165	-	50	43	125	114	99	162	85	F05
65 MM	63	C1455V0	192	40	65	46	145	127	112	202	105	F05
80 MM	80	C1755V0	218	40	80	46	164	146	128	234	114	F05
100 MM	100	C4277V0	243	40	100	52	190	179	153	324	151	F07
125 MM	100	C7277V0	276	40	125	56	216	200	153	324	151	F07
150 MM	125	C7270V0	310	61	150	56	241	225	185	389	173	F07
200 MM	150	C2800V0	404	61	200	60	298	292	219	465	205	F07/F10
250 MM	150	C2800V0	470	61	250	68	362	350	219	465	205	F07/F10

## Pneumatic Operated Wafer Type Butterfly Valve - PN16



### Technical Data - Butterfly Valve With Double Acting Actuator (All dimensions are in mm)

All dimensions are approx.

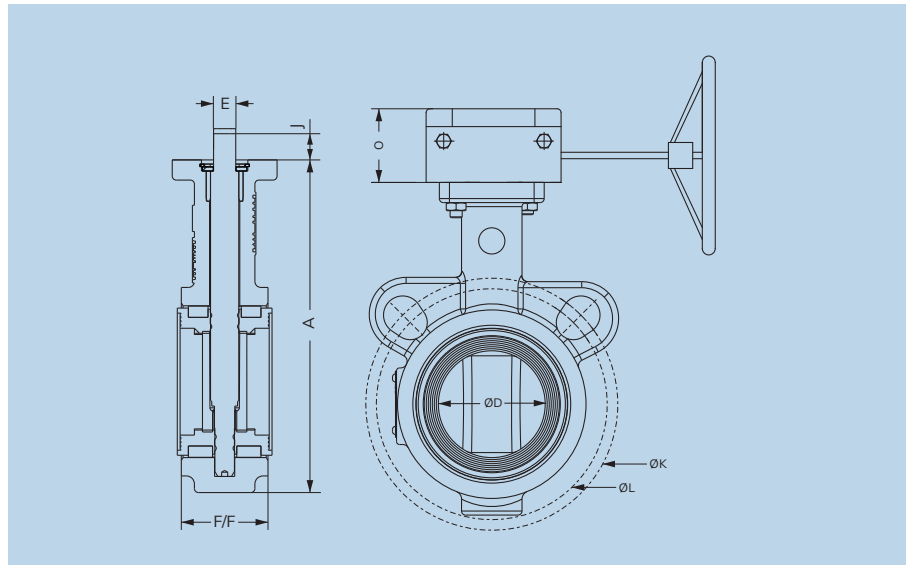
Size	Actuator	Coupler	A	B	ØD	F/F	ØK	ØL	M	N	O	Mounting Flange
40 MM	50	NA	140	-	40	33	105	98	99	130	85	F05
50 MM	50	NA	165	-	50	43	125	114	99	130	85	F05
65 MM	50	NA	192	-	65	46	145	127	99	130	85	F05
80 MM	63	C1455V0	218	40	80	46	164	146	112	147	105	F05
100 MM	80	C4777V0	243	40	100	52	190	179	128	170	114	F07
125 MM	80	NA	276	-	125	56	216	200	128	170	114	F07
150 MM	100	C7277V0	310	40	150	56	241	225	154	220	150	F07
200 MM	125	NA	404	-	200	60	298	292	185	389	174	F07/F10
250 MM	150	C2800V0	470	61	250	68	362	350	219	465	205	F07/F10

### Technical Data - Butterfly Valve With Single Acting Actuator (All dimension are in mm)

All dimensions are approx.

Size	Actuator	Coupler	A	B	ØD	F/F	ØK	ØL	M	N	O	Mounting Flange
40 MM	63	C1455V0	140	40	40	33	105	98	112	202	105	F05
50 MM	80	C1755V0	165	40	50	43	125	114	128	234	114	F05
65 MM	80	C1755V0	192	40	65	46	145	127	128	234	114	F05
80 MM	100	C1257V0	218	40	80	46	164	146	153.5	324	151	F05
100 MM	100	C4277V0	243	40	100	52	190	179	153.5	324	151	F07
125 MM	125	C7270V0	276	61	125	56	216	200	185	389	173	F07
150 MM	150	C7870V0	310	61	150	56	241	225	219	465	205	F07

Gear Box Operated Wafer Type Butterfly Valve



Technical Data (All dimensions are in mm)

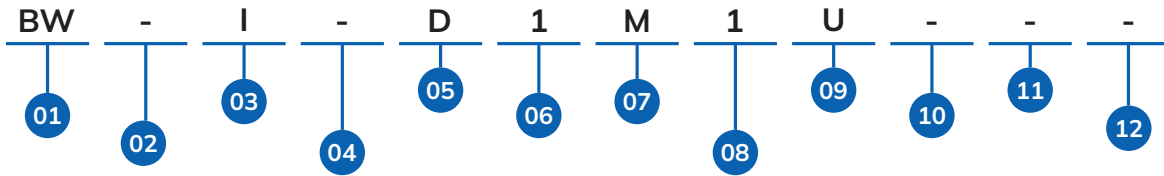
All dimensions are approx.

Size	A	ØD	F/F	ØK	ØL	E	J	O	Mounting Flange
40 MM	140	40	33	105	98	11	12	50	F05
50 MM	165	50	43	125	114	11	13	50	F05
65 MM	192	65	46	145	127	11	12	50	F05
80 MM	218	80	46	164	146	11	14	50	F05
100 MM	243	100	52	190	179	14	17	53	F07
125 MM	276	125	56	216	200	17	20	53	F07
150 MM	310	150	56	241	225	17	19	53	F07
200 MM	404	200	60	298	292	22	22	63	F07/F10
250 MM	470	250	68	362	350	22	25	63	F07/F10
300 MM	561	300	78	432	399	27	32	70	F12

Applicable Flange Mounting

SIZE	ANSI	DIN 1092			BS10			JIS		
	150#	PN6	PN10	PN16	TABLE-E	TABLE-F	TABLE-H	5K	10K	16K
DN40	OK	OK	NA	NA	OK	OK	OK	NA	OK	NA
DN50	OK	OK	OK	OK	OK	OK	OK	NA	OK	NA
DN65	OK	OK	OK	OK	OK	OK	OK	OK	OK	OK
DN80	OK	OK	OK	OK	OK	OK	OK	OK	OK	NA
DN100	OK	NA	OK	OK	OK	OK	OK	NA	NA	NA
DN125	OK	OK	OK	OK	OK	NA	NA	OK	NA	NA
DN150	OK	OK	OK	OK	OK	NA	NA	OK	OK	NA
DN200	OK	NA	OK	OK	OK	NA	NA	NA	NA	NA
DN250	OK	NA	OK	NA	OK	NA	NA	NA	OK	NA
DN300	OK	NA	OK	NA	OK	NA	NA	NA	NA	NA

# BW - SERIES BUTTERFLY VALVE WAFER TYPE MODEL CHART



01	SERIES
BW	BW

02	PRODUCT TYPE
-	Butterfly Valve Wafer Type

03	BODY MATERIAL
-	CF8
I	CI
S	SGI
K	Ductile Iron
W	WCB
M	CF8M
V	CF3M

04	SEAL MATERIAL
-	EPDM
N	NBR
T	VITON
L	SILICONE
U	BUNA N
2	EPDM FG

05	PORT SIZE
6	1-1/2"
8	2"
9	2-1/2"
A	3"
B	4"
C	5"
D	6"
E	8"
F	10"
G	12"

06	PRESSURE CLASS
1	PN10
2	PN16
3	PN6

07	DISC MATERIAL
-	CF8
M	CF8M
W	WCB
S	SGI
K	Ductile Iron
V	CF3M

08	STEM MATERIAL
-	SS 304
1	SS 410
3	SS 316L
6	SS 316
8	SS 416

09	OPERATION
-	Actuator Operated
R	Bare Stem
U	Manual Operated
G	Gear Operated
4	Manual Operated SS304
E	Electric Actuator Operated
L	Actuator With Lever
A	Actuator With Gear

10	APPROVALS
-	NO APPROVALS

11	CONFIG
-	REGULAR
C1	CONFIG 1
C2	CONFIG 2
C3	CONFIG 3
⋮	⋮
C9	CONFIG 9
CA	CONFIG 10
CB	CONFIG 11

12	VERSION
-	VERSION 0
V1	VERSION 1
V2	VERSION 2
V3	VERSION 3
⋮	⋮
V9	VERSION 9
VA	VERSION 10
VB	VERSION 11

**BW-ID1M1U**  
6" BUTTERFLY VALVE WAFER TYPE CI-EPDM-PN10-  
CF8M-SS410-MANUAL OPERATED

Note: The above chart is for identification purposes only, and it may not be possible to make all combinations for the above chart.

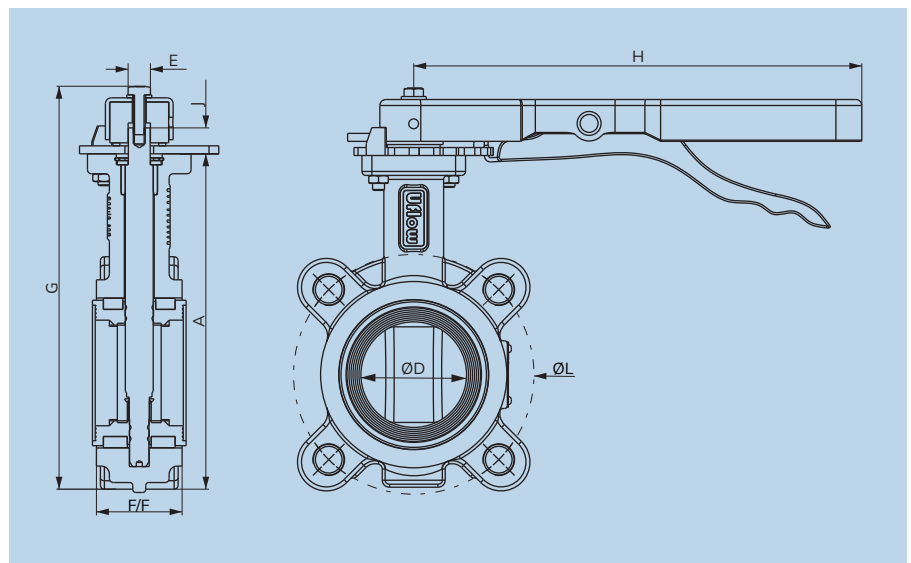
## Specifications

End Connection :	Lug
Size :	DN50 - DN300
Suitable :	ASME B16.5 150#
Pressure Range :	PN06, PN10, PN16
Leakage Class :	100% Tightness at fully differential pressure
Standard :	API 609, BS 5155, ISO 5211, API 598, ASME B16.5
Body Material :	Cast Iron(CI), SGI, WCB, CF8, CF8M
Disc Material :	SGI, CF8, CF8M, WCB
Stem Material :	SS410, SS304, SS316
Body Liner / Seat Material :	NBR, EPDM, VITON
Shaft Bearing Material :	PTFE

## Features

- ✓ Bi-directional zero leakage butterfly valve.
- ✓ ISO Pad for mounting, Gear Operator / Actuator
- ✓ Extremely small play between the stem and disc due to 'Double D' drive.
- ✓ Accurate dual stem sealing prevents leakage.
- ✓ Standard flanged drilling : PN10/PN16, JIS 10K/16K, ASME 125/150#
- ✓ 100% Tested With Pneumatic And Fluid (Water) Media.
- ✓ Design Standard : ISO 5211, API 609, ASME B16.5 150#.
- ✓ Face to Face Dimension : API 609 (CAT A).
- ✓ Operator mounting flange : As per ISO 5211.
- ✓ Operator : Hand Lever / Gear / Actuator
- ✓ Leakage Class : 100% tightness at full differential Pressure.

## Hand Lever Operated Lug Type Butterfly Valve

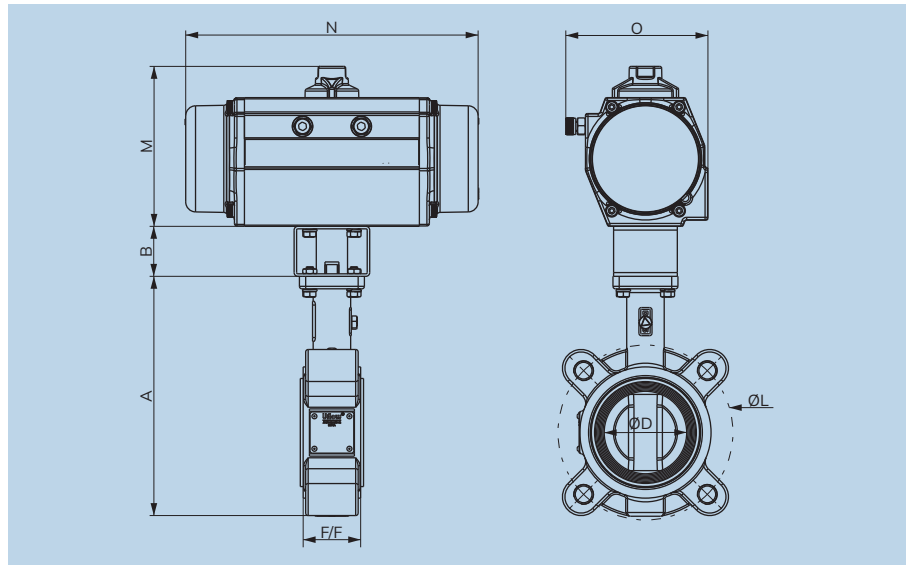


## Technical Data (All dimensions are in mm)

All dimensions are approx.

Size	A	ØD	F/F	ØL	G	J	H	E	MOUNTING FLANGE
50 MM	170	50	43	120	204	13	225	11	F05
65 MM	192	65	46	140	226	12	225	11	F05
80 MM	219	80	46	152.5	252	14	225	11	F05
100 MM	258	100	52	190.5	289	17	260	14	F07
125 MM	287	125	56	216	320	20	260	17	F07
150 MM	318	150	56	241	353	19	260	17	F07
200 MM	393	200	60	298	431	22	290	22	F10
250 MM	465	250	68	362	505	25	290	22	F10

## Pneumatic Operated Lug Type Butterfly Valve - PN10



### Technical Data - Butterfly Valve with Double Acting Actuator (All dimensions are in mm)

All dimensions are approx.

Size	Actuator	Coupler	A	B	ØD	F/F	ØL	M	N	O	Mounting Flange
50 MM	50	NA	170	-	50	43	120	99	130	85	F05
65 MM	50	NA	192	-	65	46	140	99	130	85	F05
80 MM	50	NA	219	-	80	46	152.5	99	130	85	F05
100 MM	63	NA	258	-	100	52	190.5	112	147	105	F07
125 MM	80	NA	287	-	125	56	216	128	170	114	F07
150 MM	80	NA	318	-	150	56	241	128	170	114	F07
200 MM	100	NA	393	-	200	60	298	154	220	150	F10
250 MM	125	NA	465	-	250	68	362	185	389	174	F10
300 MM	150	NA	552	-	300	78	432	219	465	205	F12

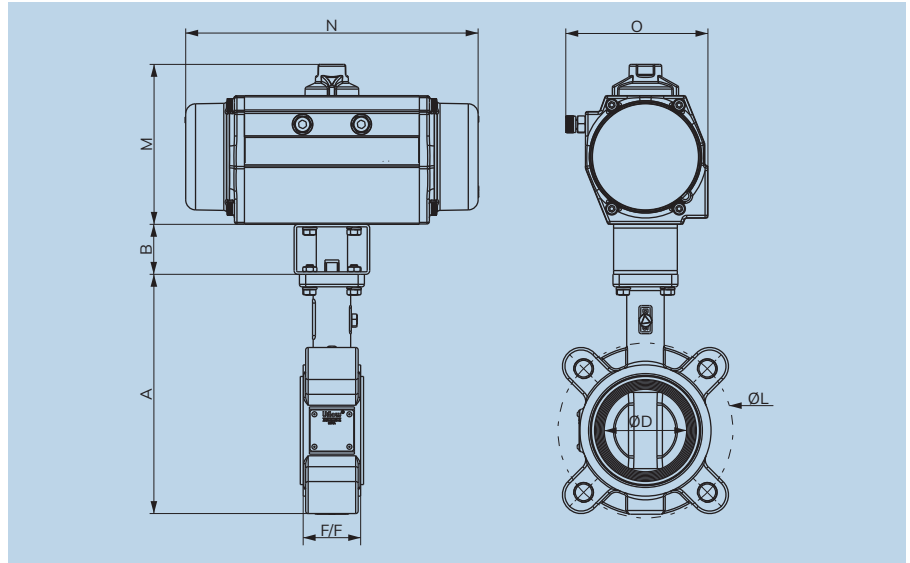
### Technical Data - Butterfly Valve with Single Acting Actuator (All dimensions are in mm)

All dimensions are approx.

Size	Actuator	Coupler	A	B	ØD	F/F	ØL	M	N	O	Mounting Flange
50 MM	50	NA	170	-	50	43	120	99	162	84.9	F05
65 MM	63	C1455V0	192	40	65	46	140	112	202	105	F05
80 MM	80	C1755V0	219	40	80	46	152.5	128	234	114	F05
100 MM	100	C4277V0	258	40	100	52	190.5	153	324	151	F07
125 MM	100	C7277V0	287	40	125	56	216	153	324	151	F07
150 MM	125	C7270V0	318	61	150	56	241	185	389	173	F07
200 MM	150	C2800V0	393	61	200	60	298	219	465	205	F10
250 MM	150	C2800V0	465	61	250	68	362	219	465	205	F10



Pneumatic Operated Lug Type Butterfly Valve - PN16



Technical Data - Butterfly Valve with Double Acting Actuator (All dimensions are in mm)

All dimensions are approx.

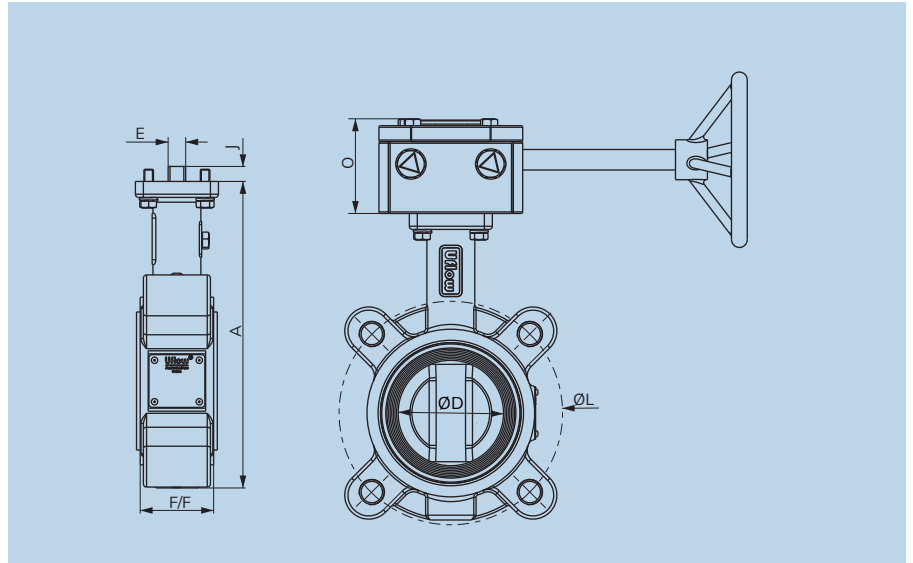
Size	Actuator	Coupler	A	B	ØD	F/F	ØL	M	N	O	Mounting Flange
50 MM	50	NA	170	-	50	43	120	99	130	85	F05
65 MM	50	NA	192	-	65	46	140	99	130	85	F05
80 MM	63	C1455V0	219	40	80	46	152.5	112	147	105	F05
100 MM	80	C4777V0	258	40	100	52	190.5	128	170	114	F07
125 MM	80	NA	287	-	125	56	216	128	170	114	F07
150 MM	100	C7277V0	318	40	150	56	241	154	220	150	F07
200 MM	125	NA	393	-	200	60	298	185	389	173	F10
250 MM	150	C2800V0	465	61	250	68	362	219	465	205	F10

Technical Data - Butterfly Valve with Single Acting Actuator (All dimension are in mm)

All dimensions are approx.

Size	Actuator	Coupler	A	B	ØD	F/F	ØL	M	N	O	Mounting Flange
50 MM	80	C1755V0	170	40	50	43	120	128	234	114	F05
65 MM	80	C1755V0	192	40	65	46	140	128	234	114	F05
80 MM	100	C1257V0	219	40	80	46	152.5	153.5	324	151	F05
100 MM	100	C4277V0	258	40	100	52	190.5	153.5	324	151	F07
125 MM	125	C7270V0	287	61	125	56	216	185	389	173	F07
150 MM	150	C7870V0	318	61	150	56	241	219	465	205	F07

## Gear Box Operated Lug Type Butterfly Valve

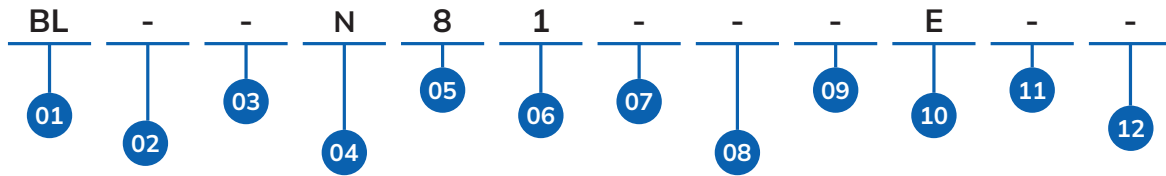


### Technical Data (All dimensions are in mm)

All dimensions are approx.

Size	A	ØD	F/F	ØL	E	J	O	Mounting Flange
50 MM	170	50	43	120	11	13	50	F05
65 MM	192	65	46	140	11	12	50	F05
80 MM	219	80	46	153	11	14	50	F05
100 MM	258	100	52	191	14	17	53	F07
125 MM	287	125	56	216	17	20	53	F07
150 MM	318	150	56	241	17	19	53	F07
200 MM	393	200	60	298	22	22	63	F10
250 MM	465	250	68	362	22	25	63	F10
300 MM	552	300	78	432	27	32	70	F12

# BL - SERIES LUG TYPE BUTTERFLY VALVE MODEL CHART



01	SERIES
BL	

02	PRODUCT TYPE
-	Butterfly Valve Lug Type

03	BODY MATERIAL
-	CF8
I	CI
S	SGI
K	Ductile Iron
W	WCB
M	CF8M
V	CF3M

04	SEAL MATERIAL
-	EPDM
N	NBR
T	VITON
L	SILICONE
U	BUNA N
Z	EPDM FG

05	PORT SIZE
8	2"
9	2-1/2"
A	3"
B	4"
C	5"
D	6"
E	8"
F	10"
G	12"

06	PRESSURE CLASS
1	PN10
2	PN16
3	PN6

07	FLANGE SELECTION
-	150 # PCD
B	PN10 PCD
C	PN16 PCD
D	10K PCD
F	16K PCD
H	AS2129 Table E

08	DISC MATERIAL
-	CF8
M	CF8M
W	WCB
S	SGI
K	Ductile Iron
V	CF3M

09	STEM MATERIAL
-	SS 304
N	SS 410
P	SS 316L
D	SS 316
T	SS 416

10	OPERATION
-	Actuator Operated
R	Bare Stem
E	Manual Operated
G	Gear Operated
U	Manual Operated Ss304
L	Electric Actuator Operated
4	Actuator With Gear

11	APPROVALS
-	NO APPROVALS

12	CONFIG
-	REGULAR
C1	CONFIG 1
C2	CONFIG 2
C3	CONFIG 3
⋮	⋮
C9	CONFIG 9
CA	CONFIG 10
CB	CONFIG 11

13	VERSION
-	VERSION 0
V1	VERSION 1
V2	VERSION 2
V3	VERSION 3
⋮	⋮
V9	VERSION 9
VA	VERSION 10
VB	VERSION 11

# Global Presence...



Made In India



## CONTACT US:

For Domestic Inquiry

✉ [sales@uflowvalve.com](mailto:sales@uflowvalve.com) 📞 +91 85110 98822 🌐 [www.uflowvalve.com](http://www.uflowvalve.com)

For Export Inquiry

✉ [export@uflowvalve.com](mailto:export@uflowvalve.com) 📞 +91 99744 77370 📞 +91 78018 09550

📍 Uflow Automation, Ankur Industrial Complex, Survey No: 275/276, Plot No: 31, Nr. Intol Cast Pvt. Ltd. Shapar(Veraval) Dist.: Gujarat (India) - 360 024.