

Changing
lives
for better

DARLING
PUMPS GROUP **DARLING**
PUMP 
Designing SMART pumping solutions...

Slurry Pumps

Engineered to perfection...



4HD Series

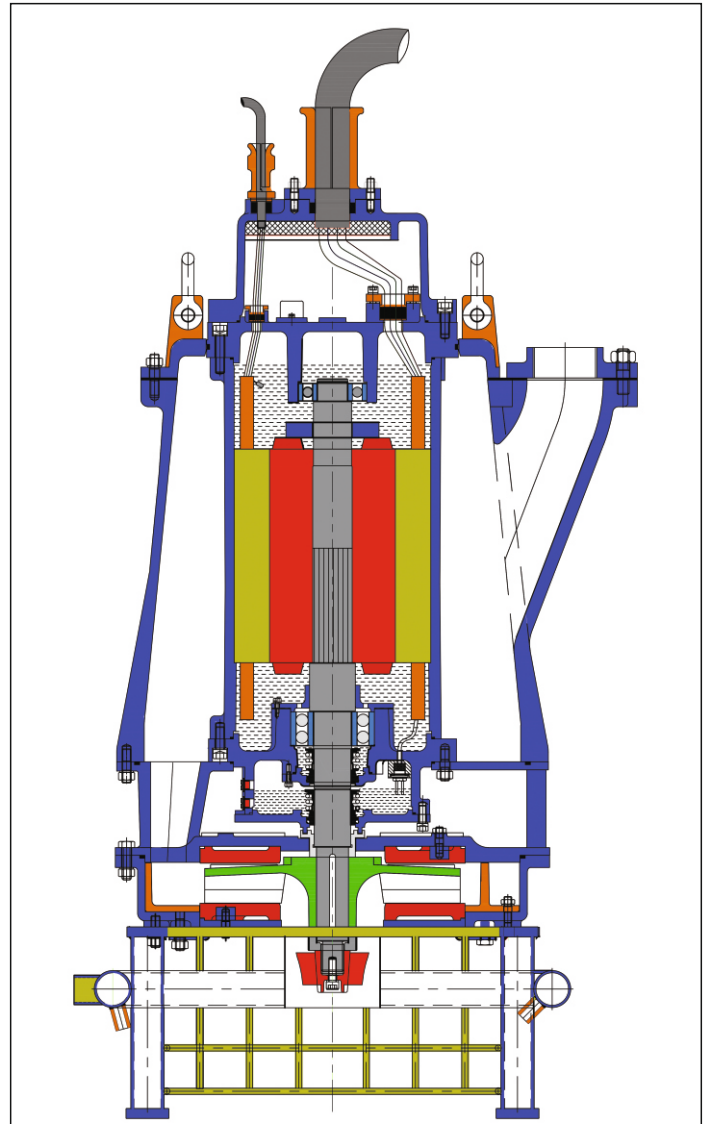


4HD Series : Features & Dimensions

Features

- **Impeller** - Abrasive resistant Semi open type impeller with back vane for hydraulically balanced axial thrust.
- **Shaft** - Fully covered heavy duty shaft not exposed to pumpage liquid.
- **Volute** - Replaceable twin volute type diffuser.
- **Wearplate** - Abrasive resistant adjustable wear plate to restore clearances for optimum efficiency.
- **Mechanical Seals** - Dual mechanical seals fitted in independent chamber devoid of discharge pressure ensuring better seal life. Additionally fitted with seal sensors to detect any kind of water ingress.
- **Agitator** - Abrasive resistant agitator comes in as a built-in arrangement.
- **Jetting** - Inbuilt provision for water jet arrangement for desettling of slurries.
- **Replaceable Wear Parts** - All wear parts are independently replaceable bringing down the maintenance cost drastically.
- **Unique Jacketed Design** - Ensures maximum pumping even in small pits and safeguards pump against dry running.

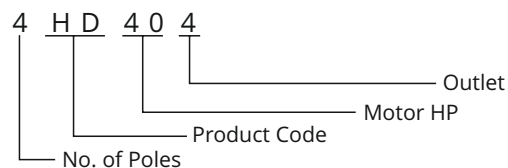
Cross Sectional View



Denominations

Product Code	4HD
Installation	Vertical / Portable
Impeller Characteristic	Radial
Discharge Connection	80/100 mm

Nomenclature



Dimensions

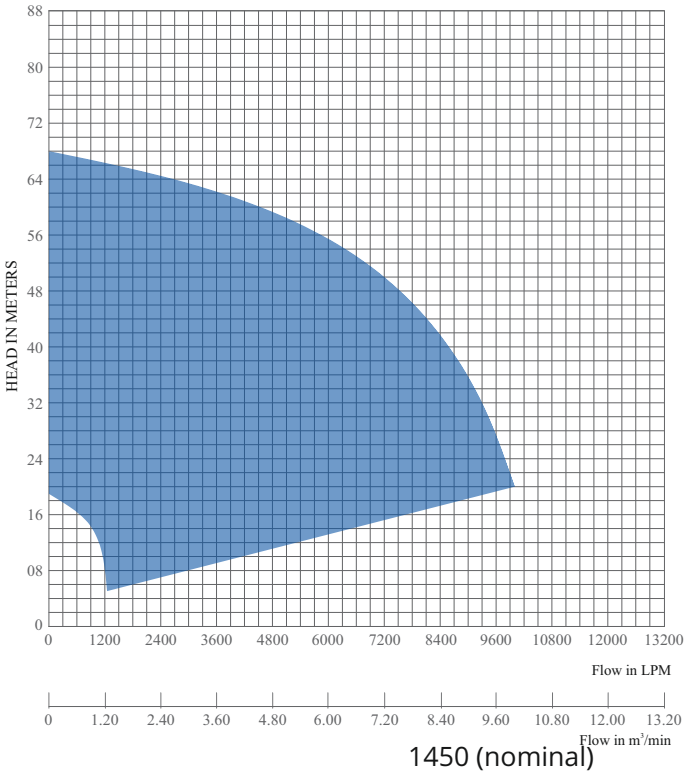
PUMP MODEL	HP/KW	RPM	OUTLET / DN SIZE (mm)	MINIMUM SUBMERGE (mm)	SOLID PASSAGE (mm)	WIDTH (Approx.) (mm)	HEIGHT (Approx.) (mm)	NET WEIGHT (kg)*
4HD-153	15/11	1450	80	225	25	685	1070	440
4HD-203	20/15	1450	80	225	25	685	1070	446
4HD-253	25/18.5	1450	80	225	25	685	1070	455
4HD-304	30/22	1450	100	225	32	705	1225	515
4HD-404	40/30	1450	100	225	32	705	1225	530

* without cable

4HD Series : Technical Specifications & Performance

Performance (Range)*

Upto 200 HP / 70M Head / 10000LPM Flow



*** We offer fully customised pumps for your specific needs and applications**

Tech. Specifications*

Rating	: Up to 200HP
RPM	: 1450 (nominal)
Frequency	: 50Hz
Supply	: Three Phase - 415 V
Starting	: DOL
Motor	: Dry Type / Wet type

Process Data

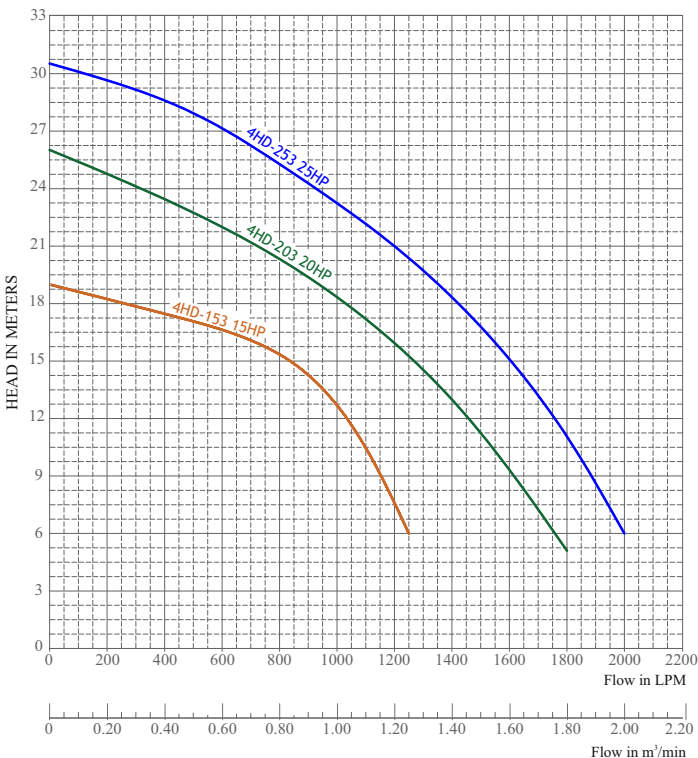
Liquid Temperature	Max 90°C
Liquid Density	2.8 gm/cc
Solid Passage	Up to 32 mm
Solid Concentration	65% by weight

Materials*

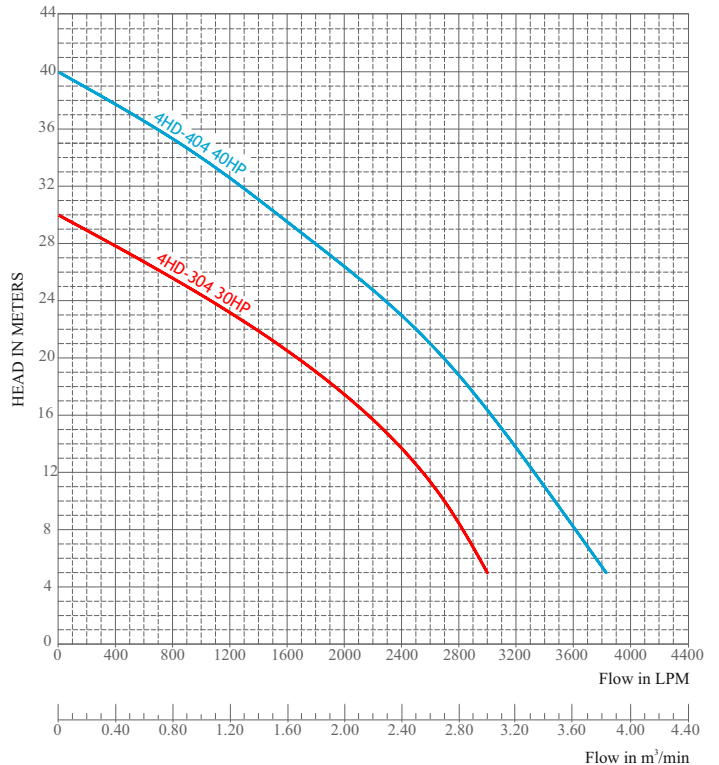
Impeller	: High Chrome, Ni-Hard, Hardned SS
Shaft	: SS 431
Volute	: Hardened SS, High Chrome
Wear Plate	: High Chrome, Ni-Hard
Agitator	: High Chrome, Ni-Hard
Mech. Seal	: Sic v/s Sic, Tc v/s Tc

*** Option of complete pump in special MoC is also available**

Performance for Pump in DN-80mm



Performance for Pump in DN-100mm



For pumps above 100HP please consult our application engineer.

User Industries and Applications



Steel Sector

- Beneficiation area
- Sintering Plants
- RHMS
- Slag slurry in Blast Furnace
- Captive Power Plants
- Wagon Tripler area - CHP
- Jetty area
- Hot water in Blast Furnace
- Coke Oven
- HSM
- Casters



Power Sector

- Intake water supply
- Zero discharge
- Ash handling
- Coal handling
- Cooling Water Ponds cleaning
- Cooling towers
- Utilities slurry pumping



Mines

- Ore extraction
- Pumping of mines slurry
- Pumping of corrosive & abrasive liquids
- Pumping of highly concentrated liquids
- Stone processing units



Docks & Marinas

- Dry dock cleaning
- Cleaning of Ports and Jetties
- Desalination projects
- River cleaning projects
- Pumping Highly contaminated marine water with muck & sediments

Options

- We offer complete Slurry pumping solution for all kind of slurries.
- All slurry pumps are customised to cater specific needs of users.
- Specialised range of slurry pumps for pumping deep sea slurries.
- Can be offered for pumping high temp. slurries upto 90°C.
- Option of pontoon mounted slurry pumps also available.
- Option of twin volute casing.
- Customisable jetting arrangement based on weight and concentration of slurry.
- Customisable pump stand for maximum slurry pumping.
- Pumps can be offered in 60Hz on request.

Recommendations

- Always flush the pump with clean water after use.
- In case of maintenance always use Genuine Spares.
- Use slurry specific slurry hoses for effective slurry handling.
- Ensure use of proper control panel for proper safety & running of Slurry pumps.
- Always ensure that pump is properly earth.

For exclusive range of Darling products scan



DARLING PUMPS PVT. LTD.

REGD. ADDRESS & SALES OFFICE

124-B, 1st Flr., Runwal Commercial Complex,
Opp. Govardhan Nagar, L.B.S. Marg,
Mulund (W), Mumbai - 400 080, MS, India.
Tel : +91 22 25604451 / 25682690.
E-mail : dpplm@darlingpumps.in

HEAD OFFICE & WORKS

K-No.340/2, Tigaria Badshah,
Agarbatti Complex, Industrial Estate,
Sanwer Road, Indore - 452015, MP, India.
Tel : +91 9981992833 / 34 / 38
Email : dpplin@darlingpumps.in

SALES OFFICE KOLKATA :

F-9, Balaka Apartment,
402, Motilal Gupta Road,
Tollygunge, Behind Sodepur Bazar,
Haridevpur, Kolkata - 700082, WB, India.
Email : isk@darlingpumps.in



Channel Partner :

EXPORTS :

exports@darlingpumps.in • Tel : +91 62640 04760

Disclaimer: On account of continuous improvements, data mentioned in this leaflet is subject to change without prior notice.