

Hot Water Pumps

Simplified pumping...



HT Series

Pumps are ideal for -

All kinds of hot water pumping in -

- Power Plants
- Steel Plants
- Pharma Units

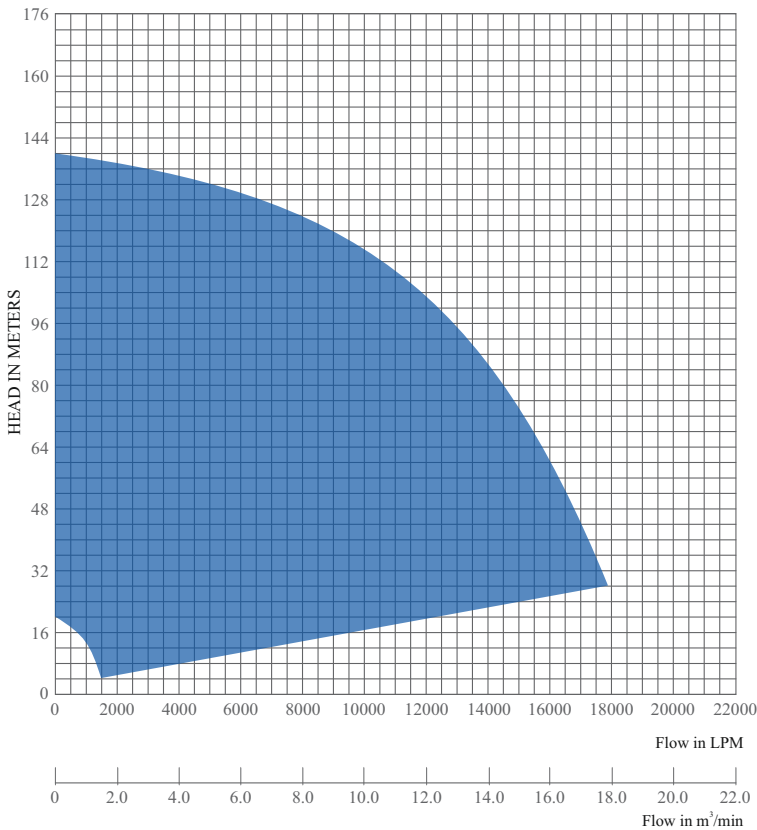
& for many more similar applications in industrial and general Hot water pumping.



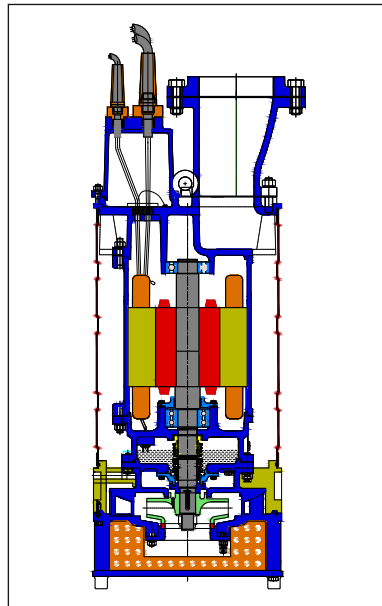
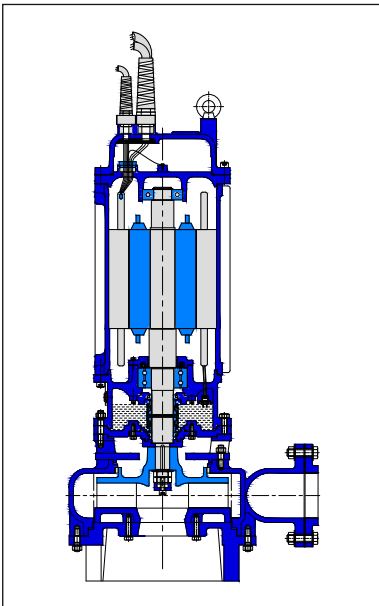
HT Series : Technical Specifications & Performance

Performance - Hot Water Series Pumps

(Upto 200 HP / 140M Head / 18000LPM Flow)



* Both side discharge & top discharge versions available.



Technical Specifications

Rating	Up to 200 HP
RPM	1450/2900
Supply	415V - 3 Phase
Motor	Dry

Denominations

Product Code	HT Series
Installation	Vertical/Portable
Impeller Characteristics	Radial/Nonclog
Discharge Connection	50/65/80/100/150/200

Motor Data

Submersible Squirrel Cage Induction Motor	F / H Class
Frequency	50Hz
Phase	3 Phase
Starting	DOL / STAR DELTA

Materials

Impeller	CA-15, CF8,CF8M & Various grade of CI
Casing/Diffuser	Various Grades of CI/SS
Shaft	AISI-410,SS-304,SS-316
Mechanical Seal	Sic v/s Sic, Tc v/s TC (Viton)
All Rubber Parts	Viton Rubber

Process Data

Liquid Temperature	Up to 90° C
Specific Gravity	Up to 2.8
Solid passage	upto 100 mm
Ph of the pumps liquid	6 to 8

Monitoring Equipment

Thermal Contacts	YES
Cut-off Temperature	YES

For exclusive range of Darling products scan



DARLING PUMPS PVT. LTD.

REGD. ADDRESS & SALES OFFICE

124-B, 1st Flr., Runwal Commercial Complex,
Opp. Govardhan Nagar, L.B.S. Marg,
Mulund (W), Mumbai - 400 080, MS, India.
Tel : +91 22 25604451 / 25682690.
E-mail : dpplm@darlingpumps.in

HEAD OFFICE & WORKS

K-No.340/2, Tigaria Badshah,
Agarbatti Complex, Industrial Estate,
Sanwer Road, Indore - 452015, MP, India.
Tel : +91 9981992833 / 34 / 38
Email : dpplin@darlingpumps.in

SALES OFFICE KOLKATA :

F-9, Balaka Apartment,
402,Motilal Gupta Road,
Tollygunge, Behind Sodepur Bazar,
Haridevpur, Kolkata - 700082, WB, India.
Email : isk@darlingpumps.in



Channel Partner :

Disclaimer: On account of continuous improvements, data mentioned in this leaflet is subject to change without prior notice.