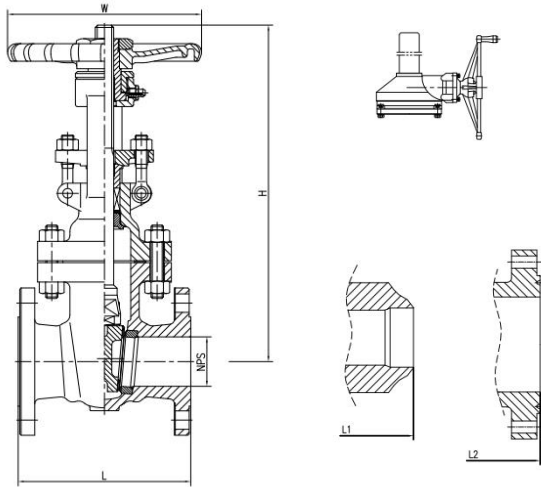


OPENING AND CLOSING ARE UNDER YOUR CONTROL.



API
GATE VALVES

» CLASS 150



Standards

Steel gate valves:API600/API6D
 Steel gate valves:ISO 10434/ISO 14313
 Steel valves:ASME B16.34
 Face to face:ASME B16.10
 End flanges:ASME B16.5
 Butt weld ends:ASME B16.25
 Inspection and test:API 598/API 6D

General features

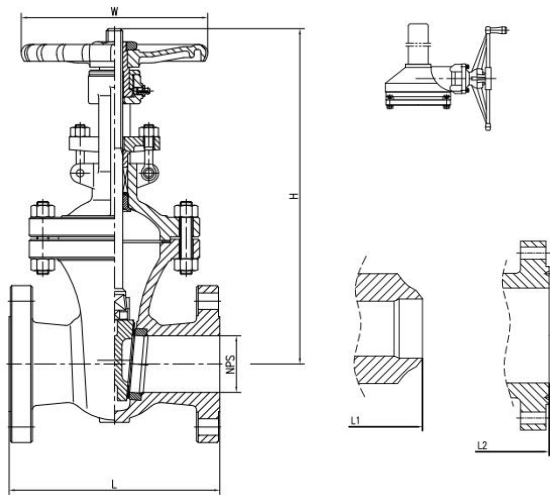
Full port design
 OS&Y,Outsidescrewandyoke
 Bolted bonnet(BB)split body
 Flexible wedge,fully guided
 Choice of solid or split wedge
 Renewable seat rings
 Forged T-head stem
 Rising stem and non-rising handwheel
 Flanged or butt weld ends
 Available with manual bevel gear operator

Item	Description	Material
1	Body	A216-WCB, A217-WC6, A352-LCB, A351-CF3, A351-CF3M, A351-CF8, A351-CF8M
2	Bonnet	A216-WCB, A217-WC6, A352-LCB, A351-CF3, A351-CF3M, A351-CF8, A351-CF8M
3	Wedge	A216-WCB+CR13, A217-WC6+HF, A352-LCB+CR13
4	Stem	A182-F6a, CR-MO-V, A182-F6a
5	Seat ring	A105+CR13, A182-F11+HF, A350-LF2+CR13
6	Stem backseat	A276-420, A276-304
7	Bonnet gasket	Spiral wound(Graphite+304)
8	Bonnet stud	A193-B7, A193-B16, A320-L7
9	Bonnet stud nut	A194-2H, A194-7
10	Packing	Graphite
11	Gland	A276-420, A276-304, A276-420
12	Gland flange	A216-WCB, A217-WC6, A352-LCB
13	Eyebolt pin	Carbon steel, A276-420
14	Eyebolt	Carbon steel, A193-B7
15	Eyebolt nut	Carbon steel, A194-2H
16	Grease fitting	Brass+steel
17	Yokesleeve	Aluminum-Bronze
18	Yokesleeve jam nut	Carbon steel
19	Handwheel	Malleable iron
20	Handwheel nut	Carbon steel

» CLASS 150

SIZE (")	L (MM)		L2 (MM)		H (MM)	W (MM)	WT (KG)	
	RF	BW	RTJ	(OPEN)			RF	BW
1-1/2	165	165	178	392	200	18.5	15.5	
2	178	216	191	368	200	18	15	
2-1/2	191	241	203	434	200	25	18	
3	203	283	216	480	250	32	26	
4	229	305	242	584	300	50	41	
6	267	403	279	765	300	77	69	
8	292	419	305	956	350	121	108	
10	330	457	343	1149	400	478	156	
12	356	502	368	1350	450	265	248	
14	381	572	394	1508	500	363	330	
16	406	610	419	1703	550	463	424	
18	432	660	445	1892	600	621	587	
20	457	711	470	2119	640	792	752	
24	508	813	521	2500	720	1190	1144	
26	559	864	/	2806	720	1521	1570	
28	610	914	622	2960	800	1838	1900	
30	610	914	622	3150	800	2261	3310	
32	711	965	673	3280	950	2490	2540	
36	711	1016	724	3720	1000	3310	3380	
40	762	1067	/	4670	760	4815	4840	
42	787	1092	/	4920	760	5300	5275	
48	864	1168	/	5525	760	7110	7050	

» CLASS 300



Standards

Stool gate valves:API 600/API 6D
 Steel gate valves:ISO 10434/ISO 14313
 Steel valves:ASME B16.34
 Face to face:ASME B16.10
 End flanges:ASME B16.5
 Butt weld ends:ASME B16.25
 Inspection and test:API 598/API 60

General features

Full port design
 OS & Y, Outside screw and yoke
 Bolted bonnet (BB) split body
 Flexible wedge, fully guided
 Choice of solid or split wedge
 Renewable seat rings
 Forged T-head stem
 Rising stem and non-rising handwheel
 Flanged or butt weld ends
 Available with manual bevel gear operator

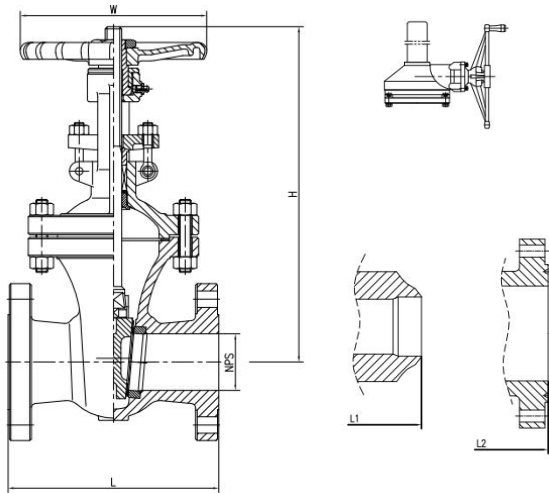
Item	Description	Material
1	Body	A216-WCB, A217-WC6, A352-LCB, A351-CF3, A351-CF3M, A351-CF8, A351-CF8M
2	Bonnet	A216-WCB, A217-WC6, A352-LCB, A351-CF3, A351-CF3M, A351-CF8, A351-CF8M
3	Wedge	A216-WCB+CR13, A217-WC6+HF, A352-LCB+CR13
4	Stem	A182-F6a, CR-MO-V, A182-F6a
5	Seat ring	A105+CR13, A182-F11+HF, A350-LF2+CR13
6	Stem backseat	A276-420, A276-304
7	Bonnet gasket	Spiral wound (Graphite+304)
8	Bonnet stud	A193-B7, A193-B16, A320-L7
9	Bonnet stud nut	A194-2H, A194-7
10	Packing	Graphite
11	Gland	A276-420, A276-304
12	Gland flange	A216-WCB, A217-WC6, A352-LCB
13	Eyebolt pin	Carbon steel, A276-420
14	Eyebolt	Carbon steel, A193-B7
15	Eyebolt nut	Carbon steel, A194-2H
16	Grease fitting	Brass+steel
17	Yokesleeve	Aluminum-Bronze
18	Yokesleeve jam nut	Carbon steel
19	Handwheel	Malleable iron
20	Handwheel nut	Carbon steel

GATE VALVES

» CLASS 300

SIZE(")	L/L1(MM)	L2(MM)	H(MM)	W(MM)	WT(KG)	
	RF/BW	RTJ	(OPEN)		RF/RTJ	BW
1-1/2	190	203	374	200	26	22
2	216	232	410	200	23	17
2-1/2	241	257	453	200	35	26
3	283	298	509	250	50	39
4	305	321	612	300	71	53
6	403	419	805	350	144	113
8	419	435	1000	400	209	164
10	457	473	1210	450	322	256
12	502	518	1415	500	482	390
14	762	778	1580	550	683	565
16	838	854	1725	550	950	805
18	914	930	1960	600	1145	965
20	991	1010	2195	640	1635	1410
24	1143	1165	2590	720	2660	2305
26	1245	1270	2975	720	3090	2540
28	1346	1372	3100	800	3310	2725
30	1397	1422	3200	800	3595	3055
32	1524	1553	3300	950	3720	3360
36	1727	1756	3860	1000	3985	3630
40	1930	/	4791	610	8460	6160
42	1981	/	5032	610	9500	6800
48	2235	/	5522	610	12400	9000

» CLASS 600



Standards

Steel gate valves:API 600/API 6D
 Steel gate valves:ISO 10434/ISO 14313
 Steel valves:ASME B16.34
 Face to face:ASME B16.10
 End flanges:ASME B16.5
 Buttweldends:ASMEB16.25
 Inspection and test:API598/API6D

General features

Full port design
 OS&Y,Outside screw and yoke
 Boltedbonnet(BB)splitbody
 Flexible wedge,fully guided
 Choice of solid or split wedge
 Renewableseatrings
 Forged T-head stem
 Rising stem and non-rising handwheel
 Flanged or butt weld ends
 Available with manual bevel gear operator

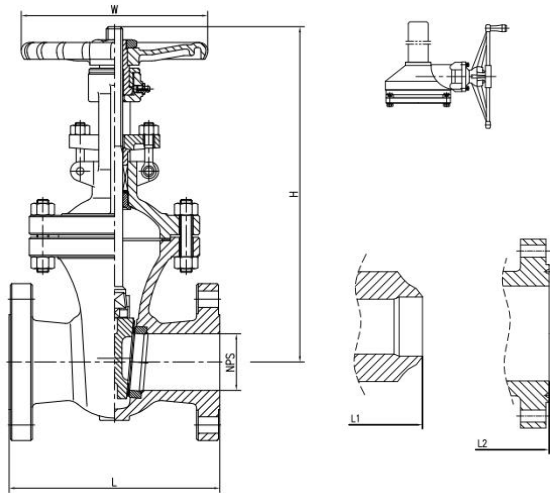
Item	Description	Material
1	Body	A216-WCB, A217-WC6, A352-LCB, A351-CF3, A351-CF3M, A351-CF8, A351-CF8M
2	Bonnet	A216-WCB, A217-WC6, A352-LCB, A351-CF3, A351-CF3M, A351-CF8, A351-CF8M
3	Wedge	A216-WCB+CR13, A217-WC6+HF, A352-LCB+CR13
4	Stem	A182-F6a, CR-MO-V, A182-F6a
5	Seat ring	A105+CR13, A182-F11+HF, A350-LF2+CR13
6	Stem backseat	A276-420, A276-304
7	Bonnet gasket	Steel ring, 304ss ring
8	Bonnet stud	A193-B7, A193-B16, A320-L7
9	Bonnet stud nut	A194-2H, A194-7
10	Packing	Graphite
11	Gland	A276-420, A276-304
12	Gland flange	A216-WCB, A217-WC6, A352-LCB
13	Eyebolt pin	Carbon steel, A276-420
14	Eyebolt	Carbon steel, A193-B7
15	Eyebolt nut	Carbon steel, A194-2H
16	Grease fitting	Brass+steel
17	Yokesleeve	Aluminum-Bronze
18	Yokesleeve jam nut	Carbon steel
19	Handwheel	Malleable iron
20	Handwheel nut	Carbon steel

GATE VALVES

» CLASS 600

SIZE(")	L(L1(MM) L2(MM)		H(MM)	W(MM)	WT(KG)	
	RF/BW	RTJ	(OPEN)		RF/RTJ	BW
2	292	295	418	200	36	29
2-1/2	330	333	476	250	52	42
3	356	359	518	250	67	53
4	432	435	646	300	112	83
6	559	562	840	450	170	125
8	660	664	1025	500	393	310
10	787	791	1230	600	610	472
12	838	841	1450	600	890	730
14	889	892	1575	600	1245	1055
16	991	994	1795	600	1530	1240
18	1092	1095	1930	640	1965	1625
20	1194	1200	2210	640	2450	2030
24	1397	1407	2580	720	2995	2590
26	1448	1461	2665	720	3475	2855
28	1549	1562	2780	800	3725	3065
30	1651	1664	2895	800	2045	3440
32	1778	1794	3150	950	4185	3780
36	2083	2099	3560	1000	4480	4085

» CLASS 900



Standards

Steel gate valves:API 600/API 6D
 Steel gate valves:ISO 10434/ISO 14313
 Steel valves:ASME B16.34
 Face to face:ASME B16.10
 End flanges:ASME B16.5
 Buttweldends:ASMEB16.25
 Inspection and test:API598/API6D

General features

Full port design
 OS&Y,Outside screw and yoke
 Boltedbonnet(BB)splitbody
 Flexible wedge,fully guided
 Choice of solid or split wedge
 Renewableseatrings
 Forged T-head stem
 Rising stem and non-rising handwheel
 Flanged or butt weld ends
 Available with manual bevel gear operator

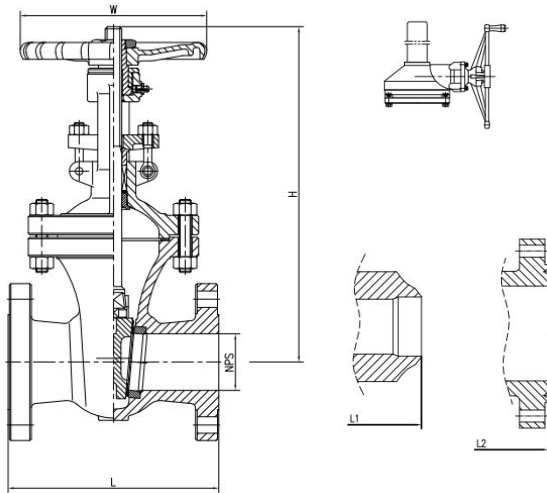
Item	Description	Material
1	Body	A216-WCB, A217-WC6, A352-LCB, A351-CF3, A351-CF3M, A351-CF8, A351-CF8M
2	Bonnet	A216-WCB, A217-WC6, A352-LCB, A351-CF3, A351-CF3M, A351-CF8, A351-CF8M
3	Wedge	A216-WCB+CR13, A217-WC6+HF, A352-LCB+CR13
4	Stem	A182-F6a, CR-MO-V, A182-F6a
5	Seat ring	A105+HF, A182-F11+HF, A350-LF2+HF
6	Stem backseat	A276-420, A276-304
7	Bonnet gasket	Steel ring, 304ss ring
8	Bonnet stud	A193-B7, A193-B16, A320-L7
9	Bonnet stud nut	A194-2H, A194-7
10	Packing	Graphite
11	Gland	A276-420, A276-304
12	Gland flange	A216-WCB, A217-WC6, A352-LCB
13	Eyebolt pin	Carbon steel, A276-420
14	Eyebolt	Carbon steel, A193-B7
15	Eyebolt nut	Carbon steel, A194-2H
16	Grease fitting	Brass+steel
17	Yokesleeve	Aluminum-Bronze
18	Yokesleeve jam nut	Carbon steel
19	Handwheel	Malleable iron
20	Handwheel nut	Carbon steel

GATE VALVES

» CLASS 900

SIZE(")	L/L1(MM)	L2(MM)	H(MM)	W(MM)	WT(KG)	
	RF/BW	RTJ	(OPEN)		RF/RTJ	BW
2	368	371	498	250	74	54
2-1/2	419	422	547	250	131	105
3	381	384	573	300	101	78
4	457	460	678	450	172	135
6	610	613	900	500	335	260
8	737	740	1103	600	640	515
10	838	841	1345	640	1100	920
12	965	968	1525	720	1600	1380
14	1029	1038	1900	800	2250	2010
16	1130	1140	2055	800	2850	2565
18	1219	1232	2215	950	3060	2485
20	1321	1334	2565	950	3835	3250
24	1549	1568	2640	1000	4900	4065

» CLASS 1500



Standards

Steel gate valves:API 600/API 6D
 Steel gate valves:ISO 10434/ISO 14313
 Steel valves:ASME B16.34
 Face to face:ASME B16.10
 End flanges:ASME B16.5
 Butt weld ends:ASME B16.25
 Inspection and test:API 598/API 6D

General features

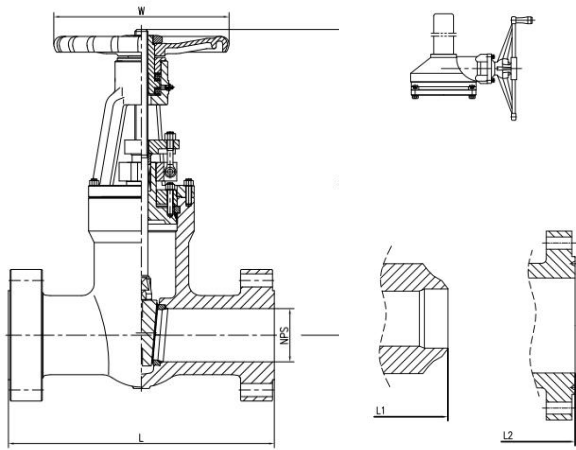
Full port design
 OS&Y, Outside screw and yoke
 Bolted bonnet (BB) split body
 Flexible wedge, fully guided
 Choice of solid or split wedge
 Renewable seat rings
 Forged T-head stem
 Rising stem and non-rising handwheel
 Flanged or butt weld ends
 Available with manual bevel gear operator

Item	Description	Material
1	Body	A216-WCB, A217-WC6, A352-LCB, A351-CF3, A351-CF3M, A351-CF8, A351-CF8M
2	Bonnet	A216-WCB, A217-WC6, A352-LCB, A351-CF3, A351-CF3M, A351-CF8, A351-CF8M
3	Wedge	A216-WCB+CR13, A217-WC6+HF, A352-LCB+CR13
4	Stem	A182-F6a, CR-MO-V, A182-F6a
5	Seat ring	A105+HF, A182-F11+HF, A350-LF2+HF
6	Stem backseat	A276-420, A276-304
7	Bonnet gasket	Steel ring, 304ss ring
8	Bonnet stud	A193-B7, A193-B16, A320-L7
9	Bonnet stud nut	A194-2H, A194-7
10	Packing	Graphite
11	Gland	A276-420, A276-304
12	Gland flange	A216-WCB, A217-WC6, A352-LCB
13	Eyebolt pin	Carbon steel, A276-420
14	Eyebolt	Carbon steel, A193-B7
15	Eyebolt nut	Carbon steel, A194-2H
16	Grease fitting	Brass+steel
17	Yokesleeve	Aluminum-Bronze
18	Yokesleeve jam nut	Carbon steel
19	Handwheel	Malleable iron
20	Handwheel nut	Carbon steel

» CLASS 1500

SIZE(")	L/L1(MM)	L2(MM)	H(MM)	W(MM)	WT(KG)	
	RF/BW	RTJ	(OPEN)		RF/RTJ	BW
2	368	371	615	250	116	105
2-1/2	419	422	658	300	166	150
3	470	473	760	450	209	188
4	546	549	868	500	296	265
6	705	711	1005	600	510	412
8	832	841	1145	460	920	760
10	991	1000	1370	460	1910	1640
12	1130	1146	1550	600	3145	2755
14	1257	1276	1900	600	4100	3200
16	1384	1407	2050	600	6200	5300
18	1537	1559	2380	600	8965	8070
20	1664	1686	2580	600	13100	11790
24	1943	1972	2915	600	15860	14275

» CLASS 2500



Standards

Steel gate valves:API 600/API 6D
 Steel gate valves:ISO 10434/ISO 14313
 Steel valves:ASME B16.34
 Face to face:ASME B16.10
 End flanges:ASME B16.5
 Buttweldends:ASMEB16.25
 Inspection and test:API598/API6D

General features

Full port design
 OS&Y, Outside screw and yoke
 Bolted bonnet(BB)split body
 Flexible wedge,fully guided
 Choice of solid or split wedge
 Renewable seat rings
 Forged T-head stem
 Rising stem and non-rising handwheel
 Flanged or butt weld ends
 Available with manual bevel gear operator

Item	Description	Material
1	Body	A216-WCB, A217-WC6, A352-LCB, A351-CF3, A351-CF3M, A351-CF8, A351-CF8M
2	Bonnet	A216-WCB, A217-WC6, A352-LCB, A351-CF3, A351-CF3M, A351-CF8, A351-CF8M
3	Wedge	A216-WCB+CR13, A217-WC6+HF, A352-LCB+CR13
4	Stem	A182-F6a, CR-MO-V, A182-F6a
5	Seat ring	A105+HF, A182-F11+HF, A350-LF2+HF
6	Stem backseat	A276-420, A276-304
7	Bonnet gasket	Steel ring, 304ss ring
8	Bonnet stud	A193-B7, A193-B16, A320-L7
9	Bonnet stud nut	A194-2H, A194-7
10	Packing	Graphite
11	Gland	A276-420, A276-304
12	Gland flange	A216-WCB, A217-WC6, A352-LCB
13	Eyebolt pin	Carbon steel, A276-420
14	Eyebolt	Carbon steel, A193-B7
15	Eyebolt nut	Carbon steel, A194-2H
16	Grease fitting	Brass+steel
17	Yokesleeve	Aluminum-Bronze
18	Yokesleeve jam nut	Carbon steel
19	Handwheel	Malleable iron
20	Handwheel nut	Carbon steel

GATE VALVES

» CLASS 2500

SIZE(")	L(L1(MM) L2(MM)		H(MM)	W(MM)	WT(KG)	
	RF/BW	RTJ	(OPEN)		RF/RTJ	BW
2	451	454	631	300	155	124
2-1/2	508	514	736	450	210	160
3	578	584	890	500	310	245
4	673	683	1055	500	580	460
6	914	927	1450	600	1600	1310
8	1022	1038	1610	600	2450	2010
10	1270	1292	2075	600	4570	3800
12	1422	1445	2280	600	7150	6000
14	/	/	/	/	/	/
16	/	/	/	/	/	/
18	/	/	/	/	/	/
20	/	/	/	/	/	/
24	/	/	/	/	/	/